

# MILKING

## SYSTEMS EQUIPMENTS



[www.milkmach.com](http://www.milkmach.com)



Produced by Enderun Milking Systems



&



bir ENDERUN Markasıdır.  
are Copyrighted Brands of Enderun



*Founded in 2010 at BURSA/TURKEY NOSAB Industrial Zone, and started to operate Milking Machines, Dairy Technologies and Farming Equipments, (TMR, Silage Harvester, etc.) under the name of Enderun Sagim Sistemleri ve Tarim Makinalari Ltd.Sti..*

*Enderun Milking Systems, has established the dealership network in all Turkish Cities and the countries around the World, and continues the Milking Machines and Farm Machines & Equipments production. Our company continues production with the aim of supplying better and innovative products without*

*compromising in quality and by gaining confidence of Farmers and Dealers in Turkey and World.*

*As Enderun, we continue to work in a more determined and reliable way to understand the needs and expectations of our customers, to provide quality products and services to our customers, to remain the most reliable supplier of our customers.*

*Our range of products expand day by day as we add new products with the assist of our R&D works, since the establishment of our Company*

*Since our establishment, our product and sector range has been renewed by adding new products to our product variety, supported by our R&D studies.*

*Our company, which does not compromise on quality with its CE and TSE certificates on the machines it manufactures, offers 2 years product warranty for all machinery and spare parts.*

*We have difference in the World market with our Economic and Quality Machinery & Spare Parts*

*We realize our production by full compliance of technological innovations, qualified personnel and modern machines.*

*We offer Milking Machines, TMRs, Farm Equipments that we are producing with the names of our patented brands ENDERUN, MILKMACH and UMay according to customer demands.*

*Our company has been growing with each passing day, Rubber, Silicone and Plastic Spare Parts and other parts of the machines it manufactures, with its own molds made in CNC Machines, again in the company Rubber Press, Plastic Blowing Machine, Plastic Injection Machine and Hose Extrusion Machine, offers to the customers with food-Grade raw materials.*

*The company is able to make/remake and produce any kind of molds of special plastic, rubber and silicone materials which are demand of the customer.*

Firmamız, 2010 yılında Bursa/Türkiye NOSAB Sanayi Bölgesi'nde, Süt Sağım Makinaları, Sağım Teknolojileri ve Çiftlik Ekipmanları (Yem Karma, Silaj Kırım, v.b.) sektörlerinde, Enderun Sagim Sistemleri ve Tarim Makinalari Ltd.Sti. adı altında, faaliyet göstermeye başlamıştır.

Enderun Sağım Sistemleri, Türkiye' nin ve dünyanın dört bir yanında, süt sağım ve ekipmanları adına bayilik ağı oluşturmuş olup, üretimine devam etmektedir.

Firmamız, kaliteden taviz vermeden, üretim yapma prensibiyle , Türk ve Dünya çiftçisinin güvenini alarak, hep daha iyisini ve daha yenisini üretmeyi hedefleyerek, çalışmalarını sürdürmektedir.

Enderun olarak, müşterilerimizin ihtiyaç ve beklentilerini anlamak, müşterilerimize kaliteli ürün ve hizmetler sunmak, müşterilerimizin en güvenilir tedarikçisi olarak kalmak için, daha azimli ve güvenli bir şekilde, çalışmalarına devam etmektedir.

Kuruluşumuzdan bu yana, ürün ve sektör yelpazemiz, ARGE çalışmalarımız ile desteklenerek, ürün çeşitliliğimize yeni ürünleri ekleyerek yenilenmektedir.

Üretmekte olduğu makinalarda sahip olduğu CE ve TSE belgeleri ile, kaliteden taviz vermeyen kuruluşumuz, tüm makine ve yedek parçaları için 2 yıl ürün garantisi sunmaktadır.

Ekonomik ve Kaliteli makine ve yedek parça üretimi ile Dünya pazarında farkını ortaya koymaktadır.

Teknoloji konusunda yenilikleri titizlikle takip eden ve bugün son derece modern tezgâhlar ve kalifiyeli elemanlarla üretimimizi gerçekleştirmekteyiz.

Üretimlerini yapmakta olduğumuz Süt Sağım Makineleri, Yem Karma Makineleri ve Çiftlik Ekipmanları' nı, patentli markalarımız olan ENDERUN, MILKMACH and UMay isimleri ile müşteri talepleri doğrultusunda satışa sunmaktayız.

Her geçen gün büyüyen firmamız, üretmekte olduğu makinaların Kauçuk, Silikon ve Plastik Yedek Parça ve diğer aksamalarını, CNC tezgahlarında yapmış olduğu kendi kalıpları ile, yine firma bünyesinde yer alan Kauçuk Pres, Plastik Şişirme Makinası, Plastik Enjeksiyon Makinası ve Hortum Çekme Makinası'nda, gıdaya uyumlu hammaddeler ile tüketicisine sunmaktadır.

Firmanın, kendi alt yapısı hazır olması münasebeti ile, müşteri talebi olan özel plastik, kauçuk ve silikon malzemelerinin kalıplarını yapabilmekte ve üretebilmektedir.



bir ENDERUN Markasıdır.  
are Copyrighted Brands of Enderun


**END-S2AK**
**Double Milking for Cows & Buffalos**  
**Çift Sağım Ünitesi (Büyükbaş)**

Chassis Şase	Electrostatic Paint Elektrostatik Boya
Bucket Güçüm	40 Lt Aluminum 40 Lt Alüminyum
Claw Pence	160 cc 160 cc
Liner Memelik	Rubber Kauçuk
Engine Motor	0.55 kW - 220 V - 1500 r.p.m 0.55 kW - 220 V - 1500 d / d
Pump Pompa	Dry or Oily - 240 Lt / min 70mm Kuru yada Yağlı - 240 Lt / d 70mm


**Description**

**S2AK / Trolley Type Milking Machine**  
 200lt/min Dry Air Vacuum Capacity at 50kPa (37,5 cm/Hg), Stainless Shells with Food Grade Rubber Liners, 60/40 ratio 2 pcs Pulsators, 0,55 kW, 1.500rpm, 220V 50hZ Electricity Motor, 2 pcs 160cc Cow Milking Claws, 1 pc 40lt Aluminum Milk Bucket, Painted Tank

**Optional :**

**Tank:** Galvanized  
**Bucket:** Stainless Steel  
**Voltage:** 110V - 60hZ / 220 V - 60hZ  
**Liner:** Silicone or Short Type Rubber  
**Teatcup Shell:** Plastic  
**Power Unit:** Gasoline Engine  
**Vacuum Type:** Turbo Oil System / Outside Lubricated Oil System  
**Chassis:** Galvanized


**Double Milking for Cows & Buffalos**  
**Çift Sağım Ünitesi (Büyükbaş)**

Chassis Şase	Electrostatic Paint Elektrostatik Boya
Bucket Güçüm	40 Lt Stainless Steel 40 Lt Paslanmaz
Claw Pence	160 cc 160 cc
Liner Memelik	Rubber Kauçuk
Engine Motor	0.55 kW - 220 V - 1500 r.p.m 0.55 kW - 220 V - 1500 d / d
Pump Pompa	Dry or Oily - 240 Lt / min 70mm Kuru yada Yağlı - 240 Lt / d 70mm


**END-S2SK**
**Description**

**S2SK / Trolley Type Milking Machine**  
 200lt/min Dry Air Vacuum Capacity at 50kPa (37,5 cm/Hg), Stainless Shells with Food Grade Rubber Liners, 60/40 ratio 2 pcs Pulsators, 0,55 kW, 1.500rpm, 220V 50hZ Electricity Motor, 2 pcs 160cc Cow Milking Claws, 1 pc 40lt Stainless Steel Milk Bucket, Painted Tank

**Optional :**

**Tank:** Galvanized  
**Bucket:** Aluminum  
**Voltage:** 110V - 60hZ / 220 V - 60hZ  
**Liner:** Silicone or Short Type Rubber  
**Teatcup Shell:** Plastic  
**Power Unit:** Gasoline Engine  
**Vacuum Type:** Turbo Oil System / Outside Lubricated Oil System  
**Chassis:** Galvanized

Single Milking for Cows & Buffalo  
Tekli Sağım Ünitesi (Büyükbaş)



Chassis Şase	Electrostatic Paint Elektrostatik Boya
Bucket Güğü	30 Lt Aluminum 30 Lt Alüminyum
Claw Pençe	160 cc 160 cc
Liner Memelik	Rubber Kauçuk
Engine Motor	0.55 kW - 220 V - 1500 r.p.m 0.55 kW - 220 V - 1500 d / d
Pump Pompa	Dry or Oily - 240 Lt / min 70mm Kuru yada Yağlı - 240 Lt / d 70mm



END-S1AK

Description

S1AK / Trolley Type Milking Machine  
200lt/min Dry Air Vacuum Capacity at 50kPa (37,5 cm/Hg), Stainless Shells with Food Grade Rubber Liners, 60/40 ratio 1 pc Pulsator, 0,55 kW, 1.500rpm, 220V 50hZ Electricity Motor, 1 pc 160cc Cow Milking Claw, 1 pc 30lt Aluminum Milk Bucket, Painted Tank

Optional :

Tank: Galvanized  
Bucket: Stainless Steel  
Voltage: 110V - 60hZ / 220 V - 60hZ  
Liner: Silicone or Short Type Rubber  
Teatcup Shell: Plastic  
Power Unit: Gasoline Engine  
Vacuum Type: Turbo Oil System / Outside Lubricated Oil System  
Chassis: Galvanized



END-S1SK

Single Milking for Cows & Buffalos  
Tekli Sağım Ünitesi (Büyükbaş)



Chassis Şase	Electrostatic Paint Elektrostatik Boya
Bucket Güğü	30 Lt Stainless Steel (304) 30 Lt Paslanmaz (304)
Claw Pençe	240 cc 240 cc
Pulsator Pulsatör	60/40 60/40
Liner Memelik	Rubber Kauçuk
Engine Motor	0.55 kW - 220 V - 1500 r.p.m 0.55 kW - 220 V - 1500 d / d
Pump Pompa	Dry or Oily - 200 Lt / min 70mm Kuru yada Yağlı - 200 Lt / d 70mm

Description

S1SK / Trolley Type Milking Machine  
200lt/min Dry Air Vacuum Capacity at 50kPa (37,5 cm/Hg), Stainless Shells with Food Grade Rubber Liners, 60/40 ratio 1 pc Pulsator, 0,55 kW, 1.500rpm, 220V 50hZ Electricity Motor, 1 pc 160cc Cow Milking Claw, 1 pc 30lt Stainless Steel Milk Bucket, Painted Tank

Optional :

Tank: Galvanized  
Bucket: Aluminum  
Voltage: 110V - 60hZ / 220 V - 60hZ  
Liner: Silicone or Short Type Rubber  
Teatcup Shell: Plastic  
Power Unit: Gasoline Engine  
Vacuum Type: Turbo Oil System / Outside Lubricated Oil System  
Chassis: Galvanized


**END-G2AK**
**Double Milking for Cows & Buffalos**  
**Çift Sağıım Ünitesi (Büyükbaş)**


Chassis Şase	Galvanized Galvaniz
Bucket Güğüüm	40 Lt Aluminum 40 Lt Alüminyum
Claw Pençe	160 cc 160 cc
Liner Memelik	Rubber Kauçuk
Engine Motor	0.55 kW - 220 V - 1500 r.p.m 0.55 kW - 220 V - 1500 d / d
Pump Pompa	Dry or Oily - 240 Lt / min 70mm Kuru yada Yağlı - 240 Lt / d 70mm

**Description**

**G2AK / Trolley Type Milking Machine**  
 200lt/min Dry Air Vacuum Capacity at 50kPa (37,5 cm/Hg), Stainless Shells with Food Grade Rubber Liners, 60/40 ratio 2 pcs Pulsators, 0,55 kW, 1.500rpm, 220V 50hZ Electricity Motor, 2 pcs 160cc Cow Milking Claws, 1 pc 40lt Aluminum Milk Bucket, Galvanized Tank

**Optional :**

Tank: Painted Vacuum Tank  
 Bucket: Stainless Steel  
 Voltage: 110V - 60hZ / 220 V - 60hZ  
 Liner: Silicone or Short Type Rubber  
 Teatcup Shell: Plastic  
 Power Unit: Gasoline Engine  
 Vacuum Type: Turbo Oil System / Outside Lubricated Oil System  
 Chassis: Electrostatic Paint


**Double Milking for Cows & Buffalos**  
**Çift Sağıım Ünitesi (Büyükbaş)**


Chassis Şase	Galvanized Galvaniz
Bucket Güğüüm	40 Lt Stainless Steel 40 Lt Paslanmaz
Claw Pençe	160 cc 160 cc
Liner Memelik	Rubber Kauçuk
Engine Motor	0.55 kW - 220 V - 1500 r.p.m 0.55 kW - 220 V - 1500 d / d
Pump Pompa	Dry or Oily - 240 Lt / min 70mm Kuru yada Yağlı - 240 Lt / d 70mm


**END-G2SK**
**Description**

**G2SK / Trolley Type Milking Machine**  
 200lt/min Dry Air Vacuum Capacity at 50kPa (37,5 cm/Hg), Stainless Shells with Food Grade Rubber Liners, 60/40 ratio 2 pcs Pulsators, 0,55 kW, 1.500rpm, 220V 50hZ Electricity Motor, 2 pcs 160cc Cow Milking Claws, 1 pc 40lt Stainless Steel Milk Bucket, Galvanized Tank

**Optional :**

Tank: Painted Vacuum Tank  
 Bucket: Aluminum  
 Voltage: 110V - 60hZ / 220 V - 60hZ  
 Liner: Silicone or Short Type Rubber  
 Teatcup Shell: Plastic  
 Power Unit: Gasoline Engine  
 Vacuum Type: Turbo Oil System / Outside Lubricated Oil System  
 Chassis: Electrostatic Paint

### Description

Fixed Eco Milking for Cows & Buffalos  
Sabit Eko Sağım Ünitesi (Büyükbaş)



Chassis Şase	Electrostatic Paint Elektrostatik Boya
Bucket Güçüm	30 Lt Aluminum 30 Lt Alüminyum
Claw Peçe	160 cc 160 cc
Liner Memelik	Rubber Kauçuk
Engine Motor	0.55 kW - 220 V - 1500 r.p.m 0.55 kW - 220 V - 1500 d / d
Pump Pompa	Dry - 240 Lt / min 70mm Kuru - 240 Lt / d 70mm

### SR1AK / Tankless Mini Eco Milking Machine

200lt/min Dry Air Vacuum Capacity at 50kPa (37,5 cm/Hg), Stainless Shells with Food Grade Rubber Liners, 60/40 ratio 1 pc Milkmach Pulsator, 0.55 kW, 1.500rpm, 220V 50hZ Electricity Motor, 1 pc 160cc Cow Milking Claw, 1 pc 30lt Aluminum Milk Bucket

#### Optional :

Tank: Galvanized Vacuum Tank  
Bucket: Stainless Steel  
Voltage: 110V - 60hZ / 220 V - 60hZ  
Claw: 240cc  
Liner: Silicone or Short Type Rubber  
Teatcup Shell: Plastic  
Power Unit: Gasoline Engine  
Vacuum Type: Turbo Oil System / Outside Lubricated Oil System  
Chassis: Galvanized

ECO MODEL



END-SR1AK

### Description

### G1SK / Trolley Type Milking Machine

200lt/min Dry Air Vacuum Capacity at 50kPa (37,5 cm/Hg), Stainless Shells with Food Grade Rubber Liners, 60/40 ratio 1 pc Pulsator, 0,55 kW, 1.500rpm, 220V 50hZ Electricity Motor, 1 pc 160cc Cow Milking Claw, 1 pc 30lt Stainless Steel Milk Bucket, Galvanized Tank

#### Optional :

Tank: Painted Vacuum Tank  
Bucket: Aluminum  
Voltage: 110V - 60hZ / 220 V - 60hZ  
Liner: Silicone or Short Type Rubber  
Teatcup Shell: Plastic  
Power Unit: Gasoline Engine  
Vacuum Type: Turbo Oil System / Outside Lubricated Oil System  
Chassis: Electrostatic Paint

Single Milking for Cows & Buffalos  
Tekli Sağım Ünitesi (Büyükbaş)



Chassis Şase	Galvanized Galvaniz
Bucket Güçüm	30 Lt Stainless Steel 30 Lt Paslanmaz
Claw Peçe	160 cc 160 cc
Liner Memelik	Rubber Kauçuk
Engine Motor	0.55 kW - 220 V - 1500 r.p.m 0.55 kW - 220 V - 1500 d / d
Pump Pompa	Dry or Oily - 240 Lt / min 70mm Kuru yada Yağlı - 240 Lt / d 70mm



END-G1SK


**END-GS1AK**
**Fixed Type Milking for Cows & Buffalos**  
**Sabit Sağım Ünitesi (Büyükbaş)**


<b>Chassis</b> <b>Şase</b>	Galvanized Galvaniz
<b>Bucket</b> <b>Güğü</b>	30 Lt Aluminum 30 Lt Alüminyum
<b>Claw</b> <b>Pençe</b>	160 cc 160 cc
<b>Liner</b> <b>Memelik</b>	Rubber Kauçuk
<b>Engine</b> <b>Motor</b>	0.55 kW - 220 V - 1500 r.p.m 0.55 kW - 220 V - 1500 d / d
<b>Pump</b> <b>Pompa</b>	Dry or Oily - 240 Lt / min 70mm Kuru yada Yağlı - 240 Lt / d 70mm

**Description**

**GS1AK / Fixed Type Milking Machine**  
 200lt/min Dry Air Vacuum Capacity at 50kPa (37,5 cm/Hg), Stainless Shells with Food Grade Rubber Liners, 60/40 ratio 1 pc Pulsator, 0,55 kW, 1.500rpm, 220V 50hZ Electricity Motor, 1 pc 160cc Cow Milking Claw, 1 pc 30lt Aluminum Milk Bucket, Galvanized Tank

**Optional :**

**Tank:** Painted Vacuum Tank  
**Bucket:** Stainless Steel  
**Voltage:** 110V - 60hZ / 220 V - 60hZ  
**Liner:** Silicone or Short Type Rubber  
**Teatcup Shell:** Plastic  
**Power Unit:** Gasoline Engine  
**Vacuum Type:** Turbo Oil System / Outside Lubricated Oil System  
**Chassis:** Electrostatic Paint


**Fixed Type Milking for Cows & Buffalos**  
**Sabit Sağım Ünitesi (Büyükbaş)**


<b>Chassis</b> <b>Şase</b>	Galvanized Galvaniz
<b>Bucket</b> <b>Güğü</b>	30 Lt Stainless Steel 30 Lt Paslanmaz
<b>Claw</b> <b>Pençe</b>	160 cc 160 cc
<b>Liner</b> <b>Memelik</b>	Rubber Kauçuk
<b>Engine</b> <b>Motor</b>	0.55 kW - 220 V - 1500 r.p.m 0.55 kW - 220 V - 1500 d / d
<b>Pump</b> <b>Pompa</b>	Dry or Oily - 240 Lt / min 70mm Kuru yada Yağlı - 240 Lt / d 70mm


**END-GS1SK**
**Description**

**GS1SK / Fixed Type Milking Machine**  
 200lt/min Dry Air Vacuum Capacity at 50kPa (37,5 cm/Hg), Stainless Shells with Food Grade Rubber Liners, 60/40 ratio 1 pc Pulsator, 0,55 kW, 1.500rpm, 220V 50hZ Electricity Motor, 1 pc 160cc Cow Milking Claw, 1 pc 30lt Stainless Steel Milk Bucket, Galvanized Tank

**Optional :**

**Tank:** Painted Vacuum Tank  
**Bucket:** Aluminum  
**Voltage:** 110V - 60hZ / 220 V - 60hZ  
**Liner:** Silicone or Short Type Rubber  
**Teatcup Shell:** Plastic  
**Power Unit:** Gasoline Engine  
**Vacuum Type:** Turbo Oil System / Outside Lubricated Oil System  
**Chassis:** Electrostatic Paint

### Description

#### Fixed Type Milking for Cows & Buffalos Sabit Sağım Ünitesi (Büyükbaş)



Chassis Şase	Galvanized Galvaniz
Bucket Güğü	30 Lt Stainless Steel 30 Lt Paslanmaz
Claw Pençe	240 cc 240 cc
Liner Memelik	Rubber Kauçuk
Engine Motor	0.55 kW - 220 V - 1500 r.p.m 0.55 kW - 220 V - 1500 d / d
Pump Pompa	Dry or Oily - 240 Lt / min 70mm Kuru yada Yağlı - 240 Lt / d 70mm



END-SS1YAK

SS1YAK / Fixed Type Milking Machine  
200lt/min Dry Air Vacuum Capacity at 50kPa (37,5 cm/Hg), PP Shells with Food Grade Rubber Liners, 60/40 ratio 1 pc Pulsator, 0,55 kW, 1.500rpm, 220V 50hZ Electricity Motor, 1 pc 240cc Cow Milking Claw, 1 pc 30lt Aluminum Milk Bucket, Galvanized Tank

#### Optional :

Tank: Painted Vacuum Tank  
Bucket: Stainless Steel  
Voltage: 110V - 60hZ / 220 V - 60hZ  
Liner: Silicone or Short Type Rubber  
Teatcup Shell: Stainless Steel  
Power Unit: Gasoline Engine  
Vacuum Type: Turbo Oil System / Outside Lubricated Oil System  
Chassis: Galvanized

### Description

#### Fixed Type Milking for Cows & Buffalos Sabit Sağım Ünitesi (Büyükbaş)



Chassis Şase	Galvanized Galvaniz
Bucket Güğü	30 Lt Stainless Steel 30 Lt Paslanmaz
Claw Pençe	240 cc 240 cc
Liner Memelik	Rubber Kauçuk
Engine Motor	0.55 kW - 220 V - 1500 r.p.m 0.55 kW - 220 V - 1500 d / d
Pump Pompa	Dry or Oily - 240 Lt / min 70mm Kuru yada Yağlı - 240 Lt / d 70mm



END-GS1YSK

GS1YSK / Fixed Type Milking Machine  
200lt/min Dry Air Vacuum Capacity at 50kPa (37,5 cm/Hg), PP Shells with Food Grade Rubber Liners, 60/40 ratio 1 pc Pulsator, 0,55 kW, 1.500rpm, 220V 50hZ Electricity Motor, 1 pc 240cc Cow Milking Claw, 1 pc 30lt Stainless Steel Milk Bucket, Galvanized Tank

#### Optional :

Tank: Painted Vacuum Tank  
Bucket: Aluminum  
Voltage: 110V - 60hZ / 220 V - 60hZ  
Liner: Silicone or Short Type Rubber  
Teatcup Shell: Stainless Steel  
Power Unit: Gasoline Engine  
Vacuum Type: Turbo Oil System / Outside Lubricated Oil System  
Chassis: Electrostatic Paint



END-G2-AK2-1

Double Milking for Cows & Buffalos  
Çiftli Sağım Ünitesi (Büyükbaş)



Chassis Şase	Galvanized Galvaniz
Buckets Güğümler	30 Lt Aluminum 30 Lt Alüminyum
Claw Pençe	160 cc 160 cc
Liner Memelik	Rubber Kauçuk
Engine Motor	0.55 kW - 220 V - 1500 r.p.m 0.55 kW - 220 V - 1500 d / d
Pump Pompa	Dry or Oily - 240 Lt / min 70mm Kuru yada Yağlı - 240 Lt / d 70mm

Description

G2AK2-1 / Trolley Type Milking Machine  
200lt/min Dry Air Vacuum Capacity at 50kPa (37,5 cm/Hg), Stainless Shells with Food Grade Rubber Liners, 60/40 ratio 2 pcs Pulsators, 0,55 kW, 1.500rpm, 220V 50hZ Electricity Motor, 2 pcs 160cc Cow Milking Claws, 2 pcs 30lt Aluminum Milk Buckets, Galvanized Tank

Optional :

Tank: Painted Vacuum Tank  
Bucket: Stainless Steel  
Voltage: 110V - 60hZ / 220 V - 60hZ  
Liner: Silicone or Short Type Rubber  
Teatcup Shell: Plastic  
Power Unit: Gasoline Engine  
Vacuum Type: Turbo Oil System / Outside Lubricated Oil System  
Chassis: Electrostatic Paint



Double Milking for Cows & Buffalos  
Çiftli Sağım Ünitesi (Büyükbaş)



Chassis Şase	Galvanized Galvaniz
Buckets Güğümler	30 Lt Stainless Steel 30 Lt Paslanmaz
Claw Pençe	240 cc 240 cc
Liner Memelik	Rubber Kauçuk
Engine Motor	0.55 kW - 220 V - 1500 r.p.m 0.55 kW - 220 V - 1500 d / d
Pump Pompa	Dry or Oily - 240 Lt / min 70mm Kuru yada Yağlı - 240 Lt / d 70mm



END-G2SK2-1

Description

G2SK2-1 / Trolley Type Milking Machine  
200lt/min Dry Air Vacuum Capacity at 50kPa (37,5 cm/Hg), PP Shells with Food Grade Rubber Liners, 60/40 ratio 2 pcs Pulsators, 0,55 kW, 1.500rpm, 220V 50hZ Electricity Motor, 2 pcs 240cc Cow Milking Claws, 2 pcs 30lt Stainless Steel Milk Buckets, Galvanized Tank

Optional :

Tank: Painted Vacuum Tank  
Bucket: Aluminum  
Voltage: 110V - 60hZ / 220 V - 60hZ  
Liner: Silicone or Short Type Rubber  
Teatcup Shell: Stainless Steel  
Power Unit: Gasoline Engine  
Vacuum Type: Turbo Oil System / Outside Lubricated Oil System  
Chassis: Electrostatic Paint

**Single Milking for Goats & Sheeps**  
**Tekli Sağım Ünitesi (Küçükbaş)**



<b>Chassis</b> <b>Şase</b>	Painted Boyalı
<b>Bucket</b> <b>Güğü</b>	30 Lt Aluminum 30 Lt Alüminyum
<b>Claw</b> <b>Peçe</b>	Goat Milking Clusters with Pim Keçi Sağım Demeti Pimli
<b>Liner</b> <b>Memelik</b>	Silicone Silikon
<b>Engine</b> <b>Motor</b>	0.55 kW - 220 V - 1500 r.p.m 0.55 kW - 220 V - 1500 d / d
<b>Pump</b> <b>Pompa</b>	Dry - 240 Lt / min 70mm Kuru - 240 Lt / d 70mm



**END-S1-AK-G**

**Description**

**S1AKG / Trolley Type Milking Machine**  
200lt/min Dry Air Vacuum Capacity at 50kPa (37,5 cm/Hg), Automatic Goat Cluster Set(2 Goats Milking), 50/50 ratio 1 pc Milkmach Pulsator, 0.55 kW, 1.500rpm, 220V 50hZ Electricity Motor, 1 pc 30lt Aluminum Milk Bucket, Painted Tank

**Optional :**

**Tank:** Galvanized Vacuum Tank  
**Bucket:** Stainless Steel  
**Voltage:** 110V - 60hZ / 220 V - 60hZ  
**Liner:** Rubber  
**Power Unit:** Gasoline Engine  
**Vacuum Type:** Turbo Oil System / Outside Lubricated Oil System  
**Chassis:** Galvanized



**END-G1-SK-G**

**Single Milking for Goats & Sheeps**  
**Tekli Sağım Ünitesi (Küçükbaş)**



<b>Chassis</b> <b>Şase</b>	Galvanized Galvaniz
<b>Bucket</b> <b>Güğü</b>	30 Lt Stainless Steel 30 Lt Paslanmaz
<b>Claw</b> <b>Peçe</b>	Goat Milking Clusters with Pim Keçi Sağım Demeti Pimli
<b>Liner</b> <b>Memelik</b>	Silicone Silikon
<b>Engine</b> <b>Motor</b>	0.55 kW - 220 V - 1500 r.p.m 0.55 kW - 220 V - 1500 d / d
<b>Pump</b> <b>Pompa</b>	Dry - 240 Lt / min 70mm Kuru - 240 Lt / d 70mm

**Description**

**G1SKG / Trolley Type Milking Machine**  
200lt/min Dry Air Vacuum Capacity at 50kPa (37,5 cm/Hg), Automatic Goat Cluster Set(2 Goats Milking), 50/50 ratio 1 pc Milkmach Pulsator, 0.55 kW, 1.500rpm, 220V 50hZ Electricity Motor, 1 pc 30lt Stainless Steel Milk Bucket, Galvanized Tank

**Optional :**

**Tank:** Painted Vacuum Tank  
**Bucket:** Aluminum  
**Voltage:** 110V - 60hZ / 220 V - 60hZ  
**Liner:** Rubber  
**Power Unit:** Gasoline Engine  
**Vacuum Type:** Turbo Oil System / Outside Lubricated Oil System  
**Chassis:** Electrostatic Paint

**Description**

ST1AK1 / Tankless Eco Milking Machine  
 200lt/min Dry Air Vacuum Capacity at 50kPa (37,5 cm/Hg), Plastic Shells with Food Grade Rubber Liners, 60/40 ratio 1 pc Pulsator,0,55 kW, 1.500rpm, 220V 50hZ Electricity Motor, 1 pc 240cc Cow Milking Claw, 1 pc 20lt Aluminum Milk Bucket

**Optional :**

Tank: Galvanized Vacuum Tank  
 Bucket: Stainless Steel  
 Voltage: 110V - 60hZ / 220 V - 60hZ  
 Claw: 160cc  
 Liner: Silicone or Short Type Rubber  
 Teatcup Shell: Stainless Steel  
 Power Unit: Gasoline Engine  
 Vacuum Type: Turbo Oil System / Outside Lubricated Oil System  
 Chassis: Galvanized

**Single Eco Milking for Cows & Buffalos  
 Tekli Eko Sađım Ünitesi (Büyükbaş)**


Chassis Şase	Electrostatic Paint Elektrostatik Boya
Bucket Güğü	20 Lt Aluminum 20 Lt Alüminyum
Claw Pençe	240 cc 240 cc
Liner Memelik	Rubber Kauçuk
Engine Motor	0.55 kW - 220 V - 1500 r.p.m 0.55 kW - 220 V - 1500 d / d
Pump Pompa	Dry - 240 Lt / min 70mm Kuru - 240 Lt / d 70mm

**END-ST1AK-1**
**Description**

ST1SK1 / Tankless Eco Milking Machine  
 200lt/min Dry Air Vacuum Capacity at 50kPa (37,5 cm/Hg), Stainless Shells with Food Grade Rubber Liners, 60/40 ratio 1 pc Milkmach Pulsator, 0.55 kW, 1.500rpm, 220V 50hZ Electricity Motor, 1 pc 240cc Cow Milking Claw, 1 pc 20lt Stainless Steel Milk Bucket

**Optional :**

Tank: Galvanized Vacuum Tank  
 Bucket: Aluminum  
 Voltage: 110V - 60hZ / 220 V - 60hZ  
 Claw: 160cc  
 Liner: Silicone or Short Type Rubber  
 Teatcup Shell: Plastic  
 Power Unit: Gasoline Engine  
 Vacuum Type: Turbo Oil System / Outside Lubricated Oil System  
 Chassis: Galvanized

**Single Eco Milking for Cows & Buffalos  
 Tekli Eko Sađım Ünitesi (Büyükbaş)**


Chassis Şase	Electrostatic Paint Elektrostatik Boya
Bucket Güğü	20 Lt Stainless Steel 20 Lt Paslanmaz
Claw Pençe	240 cc 240 cc
Liner Memelik	Rubber Kauçuk
Engine Motor	0.55 kW - 220 V - 1500 r.p.m 0.55 kW - 220 V - 1500 d / d
Pump Pompa	70mm Dry - 200 Lt / min 70mm Kuru - 200 Lt / d 70mm

**END-ST1SK-1**

**ECO MODEL**
**ECO MODEL**

### Description

#### ST2AK1 / Tankless Portable Milking Machine

200lt/min Dry Air Vacuum Capacity at 50kPa (37,5 cm/Hg), PP Shells with Food Grade Rubber Liners, 60/40 ratio 2 pcs Milkmach Pulsators, 0.55 kW, 1.500rpm, 220V 50hZ Electricity Motor, 2 pcs 160cc Cow Milking Claws, 1 pc 30lt Aluminum Milk Bucket

#### Optional :

Tank: Galvanized Vacuum Tank  
 Bucket: Stainless Steel  
 Voltage: 110V - 60hZ / 220 V - 60hZ  
 Claw: 240cc  
 Liner: Silicone or Short Type Rubber  
 Teatcup Shell: Stainless Steel  
 Power Unit: Gasoline Engine  
 Vacuum Type: Turbo Oil System / Outside Lubricated Oil System  
 Chassis: Galvanized



END-ST2-AK1



### Description

#### ST2GK1 / Tankless Portable Milking Machine

200lt/min Dry Air Vacuum Capacity at 50kPa (37,5 cm/Hg), Stainless Shells with Food Grade Rubber Liners, 60/40 ratio 2 pcs Milkmach Pulsators, 0.55 kW, 1.500rpm, 220V 50hZ Electricity Motor, 2 pcs 240cc Cow Milking Claws, 1 pc 30lt Stainless Steel Milk Bucket

#### Optional :

Tank: Galvanized Vacuum Tank  
 Bucket: Aluminum  
 Voltage: 110V - 60hZ / 220 V - 60hZ  
 Claw: 160cc  
 Liner: Silicone or Short Type Rubber  
 Teatcup Shell: Plastic  
 Power Unit: Gasoline Engine  
 Vacuum Type: Turbo Oil System / Outside Lubricated Oil System  
 Chassis: Galvanized



END-ST2-GK1

Double Eco Milking for Cows & Buffalos  
Çiftli Eko Sağım Ünitesi (Büyükbaş)



Chassis Şase	Painted Boyalı
Bucket Güğü	30 Lt Aluminum 30 Lt Alüminyum
Claw Pençe	160 cc 160 cc
Liner Memelik	Rubber Kauçuk
Engine Motor	0.55 kW - 220 V - 1500 r.p.m 0.55 kW - 220 V - 1500 d / d
Pump Pompa	Dry - 240 Lt / min 70mm Kuru - 240 Lt / d 70mm

Double Eco Milking for Cows & Buffalos  
Çiftli Eko Sağım Ünitesi (Büyükbaş)



Chassis Şase	Electrostatic Paint Elektrostatik Boya
Bucket Güğü	30 Lt Inox 30 Lt Paslanmaz
Claw Pençe	240 cc 240 cc
Liner Memelik	Rubber Kauçuk
Engine Motor	0.55 kW - 220 V - 1500 r.p.m 0.55 kW - 220 V - 1500 d / d
Pump Pompa	Dry - 240 Lt / min 70mm Kuru - 240 Lt / d 70mm



END-G2AK-H

Hybrid Single Milking for Cows & Buffalos  
Hibrit Tekli Sağıım Ünitesi (Büyükbaş)



Chassis Şase	Galvanized Galvaniz
Bucket Güğüüm	40 Lt Aluminum 40 Lt Alüüminyum
Claw Pençe	240 cc 240 cc
Liner Memelik	Rubber Kauçuk
Engine Motor	0.55 kW - 220 V - 1500 r.p.m 0.55 kW - 220 V - 1500 d / d
Benzin Engine Benzin Motor	6,5 hp, 3600 r.p.m, Air-cooled, 4-Stroke, Unleaded Gasoline
Pump Pompa	Dry or Oily - 240 Lt / min 70mm Kuru yada Yağılı - 240 Lt / d 70mm

Description

G2AKH / Hybrid Portable Milking Machine

200lt/min Dry Air Vacuum Capacity at 50kPa (37,5 cm/Hg), PP Shells with Food Grade Rubber Liners, 60/40 ratio 2 pcs Milkmach Pulsators, 0.55 kW, 1.500rpm, 220V 50hZ Electricity Motor with 6.5hp Benzin Motor, 2 pcs 240cc Cow Milking Claws, 1 pc 40lt Aluminum Milk Bucket, Hot Deep Galvanized Tank



Hybrid Double Milking for Cows & Buffalos  
Hibrit Çiftli Sağıım Ünitesi (Büyükbaş)



Chassis Şase	Galvanized Galvaniz
Bucket Güğüüm	30 Lt Stainless Steel 30 Lt Paslanmaz
Claw Pençe	240 cc 240 cc
Liner Memelik	Rubber Kauçuk
Engine Motor	0.55 kW - 220 V - 1500 r.p.m 0.55 kW - 220 V - 1500 d / d
Benzin Engine Benzin Motor	6,5 hp, 3600 r.p.m, Air-cooled, 4-Stroke, Unleaded Gasoline
Pump Pompa	Dry or Oily - 240 Lt / min 70mm Kuru yada Yağılı - 240 Lt / d 70mm



END-G2YSK2-H

Description

G2YSK2H / Hybrid Portable Milking Machine

200lt/min Dry Air Vacuum Capacity at 50kPa (37,5 cm/Hg), PP Shells with Food Grade Rubber Liners, 60/40 ratio 2 pcs Milkmach Pulsators, 0.55 kW, 1.500rpm, 220V 50hZ Electricity Motor with 6.5hp Benzin Motor, 2 pcs 240cc Cow Milking Claws, 2 pcs 30lt Stainless Steel Milk Bucket, Hot Deep Galvanized Tank

Hybrid Double Milking for Cows & Buffalos  
Hibrit Çiftli Sağım Ünitesi (Büyükbaş)



Chassis Şase	Painted Boyalı
Bucket Güğü	40 Lt Stainless Steel 40 Lt Paslanmaz
Claw Pençe	160 cc 160 cc
Liner Memelik	Rubber Kauçuk
Engine Motor	0.55 kW - 220 V - 1500 r.p.m 0.55 kW - 220 V - 1500 d / d
Benzin Engine Benzin Motor	6.5 hp, 3600 r.p.m, Air-cooled, 4-Stroke, Unleaded Gasoline
Pump Pompa	Dry or Oily - 240 Lt / min 70mm Kuru yada Yağlı - 240 Lt / d 70mm



END-S2SK-H

Description

S2SKH / Hybrid Portable Milking Machine  
200lt/min Dry Air Vacuum Capacity at 50kPa (37,5 cm/Hg), Stainless Shells with Food Grade Rubber Liners, 60/40 ratio 2 pcs Milkmach Pulsators, 0.55 kW, 1.500rpm, 220V 50hZ Electricity Motor with 6.5hp Benzin Motor, 2 pcs 160cc Cow Milking Claws, 1 pc 40lt Stainless Steel Milk Bucket, Painted Tank



Hybrid Single Milking for Cows & Buffalos  
Hibrit Tekli Sağım Ünitesi (Büyükbaş)

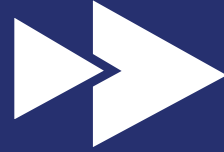


END-S1AK-H

Chassis Şase	Painted Boyalı
Bucket Güğü	30 Lt Stainless Steel 30 Lt Paslanmaz
Claw Pençe	240 cc 240 cc
Liner Memelik	Rubber Kauçuk
Engine Motor	0.55 kW - 220 V - 1500 r.p.m 0.55 kW - 220 V - 1500 d / d
Benzin Engine Benzin Motor	6.5 hp, 3600 r.p.m, Air-cooled, 4-Stroke, Unleaded Gasoline
Pump Pompa	Dry or Oily - 240 Lt / min 70mm Kuru yada Yağlı - 240 Lt / d 70mm

Description

S1AKH / Hybrid Portable Milking Machine  
200lt/min Dry Air Vacuum Capacity at 50kPa (37,5 cm/Hg), Plastic Shells with Food Grade Rubber Liners, 60/40 ratio 1 pc Milkmach Pulsator, 0.55 kW, 1.500rpm, 220V 50hZ Electricity Motor with 6.5hp Benzin Motor, 1 pc 240cc Cow Milking Claw, 1 pc 30lt Aluminum Milk Bucket, Painted Tank



**Milking Spare Parts**  
**Süt Saęım Yedek Paraları**



**MILKING EQUIPMENTS**







### Electrical Cream Separator Krema Seperatör

140 LT Electrical Cream  
Separator Machine

140 LT Elektrikli Krema  
Seperatör Makinesi

END995605-5 E



### Manual Cream Separator Krema Seperatör

100 LT ASYA Manual  
Cream Separator Machine  
100 LT Manuel Krema  
Seperatör Makinesi

END995505-3 M

140 LT ASYA Manual  
Cream Separator Machine  
140 LT Manuel Krema  
Seperatör Makinesi

END995605-3 M

### Plastic Teatcup Shell Plastik Meme Lastiği Kılıfı



END130108-1

END130108-2

END130108-3



Teatcup Shell (INOX)  
1,5mm Thickness  
Paslanmaz Meme Lastiği  
Kılıfı (Tam Tip) 1,5mm  
Kalınlık

END130109

Teatcup Shell (INOX)  
2mm Thickness  
Paslanmaz Meme Lastiği  
Kılıfı (Tam Tip) 2mm  
Kalınlık

END130109-1

Polycarbon Teat Cup Shell  
(Transparent Brown)  
Polikarbon Memelik Kılıf  
(Şeffaf Kahverengi)

END13011



Polycarbon Teat Cup Shell  
(Transparent Brown)  
Polikarbon Memelik Kılıf  
(Şeffaf Kahverengi)

END13012



### Butter Churning Yayık Makinesi

Churning Machine  
(Electrical) 10lt Elektrikli  
Yayık Makinası 10lt

END885505-1

Churning Machine  
(Electrical) 30lt Elektrikli  
Yayık Makinası 30lt

END885505-3

Churning Machine  
(Electrical) 50lt Elektrikli  
Yayık Makinası 50lt

END885505-5



Churning Machine  
(Electrical) 20lt Elektrikli  
Yayık Makinası 20lt

END885505-2

Churning Machine  
(Electrical) 40lt Elektrikli  
Yayık Makinası 40lt

END885505-4

Churning Machine  
(Electrical) 60lt Elektrikli  
Yayık Makinası 60lt

END885505-6





Stainless Steel Bucket  
without Lids  
Paslanmaz Güğüm  
Kapaksız

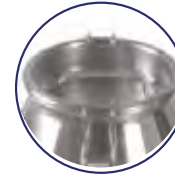
END340105	10 LT
END340106	20 LT
END340108	30 LT
END340109	40 LT
END340110	50 LT



CAPACITY	Base Ø (B)	Opening ø (A)	Height (H)	Weight
10 LT	250 mm	180 mm	330 mm	2,5 kg
20 LT	300 mm	180 mm	420 mm	3,5 kg
25 LT	300 mm	180 mm	495 mm	3,8 kg
30 LT	300 mm	180 mm	590 mm	4,1 kg
40 LT	340 mm	180 mm	590 mm	5 kg
50 LT	340 mm	180 mm	680 mm	6 kg

Aluminum Bucket with Locked Lid  
Kilitli Kapaklı Alüminyum Güğüm

END330105-1 10 lt	END330106-1 20 lt	END330107-1 30 lt	END330108-1 40 lt	END330109-1 50 lt
----------------------	----------------------	----------------------	----------------------	----------------------



• S/S Lid by Locking Clips  
Kilitli Kapak



S/S Milk Bucket with Locked Lid  
Paslanmaz Süt Güğümü Kilitli Kapaklı

END340105-1 10 lt	END340106-1 20 lt	END340108-1 30 lt	END340109-1 40 lt	END340110-1 50 lt
----------------------	----------------------	----------------------	----------------------	----------------------



Aluminum Bucket without Lid  
Kapaksız Alüminyum Güğüm

CAPACITY	Base Ø (B)	Opening ø (A)	Height (H)	Weight
10 LT	250 mm	180 mm	330 mm	2 kg
20 LT	300 mm	180 mm	420 mm	2,5 kg
30 LT	340 mm	180 mm	500 mm	3,3 kg
30 LT	340 mm	217 mm	500 mm	3,3 kg
40 LT	340 mm	180 mm	580 mm	3,7 kg
40 LT	340 mm	217 mm	580 mm	3,7 kg
50 LT	340 mm	217 mm	660 mm	4,5 kg

END330105 10 lt	END330106 20 lt	END330107 30 lt	END330108 40 lt	END330109 50 lt
--------------------	--------------------	--------------------	--------------------	--------------------



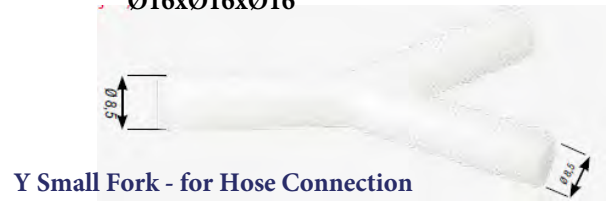
S/S Milk Meter (20 Lt.)  
Paslanmaz Süt Ölçer—(20 Lt.)

END9503567



Y Big Fork - for Hose Connection  
(Milk Clive (Ø16xØ16xØ16))  
Y Büyük Sağım Demeti Çatalı  
Ø16xØ16xØ16

END715846



Y Small Fork - for Hose Connection  
(Milk Clive (Ø8,5xØ8,5))  
Y Küçük Sağım Demeti Çatalı  
Ø8,5xØ8,5

END715847



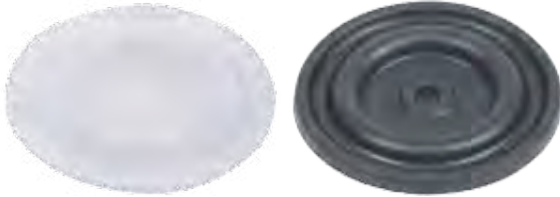
Pulsator with Stainless Steel Lid - 60/40 Ratio Cows & Buffalos  
Pulsatör Paslanmaz Kapaklı - 60/40 (İnek 60/40)

END610106



Pulsator with Stainless Steel Lid - 50/50 Ratio Goats & Sheeps  
Pulsatör Paslanmaz Kapaklı (Keçi & Koyun) 50/50)

END610107



Pulsator Big Diaphragm  
Pulsatör Büyük Diyafram

END610103-2



Pulsator Small Diaphragm  
Pulsatör Küçük Diyafram

END610103-1



Pulsator Repair Kit  
Pulsatör Tamir

END610103



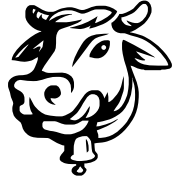
O-Ring (2,57 X 1,78)

END610103-3



Electronic Pulsator - Cows & Buffalos  
Elektronik Pulsatör - İnek & Manda

END620106



Pulsator with Red Lid - 60/40 Ratio Cows & Buffalos  
Pulsatör Kırmızı Delikli Kapaklı (İnek&Manda 60/40)

END610106-5



Pulsator with Red Lid - 60/40 Ratio Cows & Buffalos  
Pulsatör Kırmızı Delikli Kapaklı (İnek&Manda 60/40)

END610106-7



Pulsator with Red Lid - 60/40 Ratio Cows & Buffalos  
Pulsatör Kırmızı Delikli Kapaklı (İnek&Manda 60/40)

END610106-9



Vacuummeter - Ø63 - Black  
Vakum Saati - Ø63 - Siyah

END430107



Vacuummeter - Ø100 - Black  
Vakum Saati - Ø100 - Siyah

END430107-1



Lubricator 0,5 Lt  
Yağdanlık 0,5 Lt

END430109



Waste Oil Tank  
Yağdanlık Atık Kabı

END430109-1



Lubricator Gasket  
Yağdanlık Contası

END440111-1



Lubricator 1 Lt  
Yağdanlık 1 Lt

END430110



Big Wheel Ø300 mm (Red)  
Büyük Teker Ø300 mm (Kırmızı)

END8903543



Big Wheel Ø250 mm (Red)  
Büyük Teker Ø250 mm (Kırmızı)

END8903543-1



Big Wheel Ø300 mm (Black)  
Büyük Teker Ø300 mm (Siyah)

END8903544



Big Wheel Ø250 mm (Black)  
Büyük Teker Ø250 mm (Siyah)

END8903544-1



Wheel with Brake Ø100 mm  
Frenli Ön Teker Ø100 mm

END8903545



	END9503215	EN 9503215-1
Length	275 mm	330 mm
Width	245 mm	255 mm
Height	150 mm	163 mm
Weight	7.100 kg	1.800 kg
Color	Copper	Green



Water Bowl (Casting)  
Otomatik Suluk (Döküm)

END9503215



Water Bowl 5Lt (S/S)  
Suluk - (Otomatik Yalak Paslanmaz - 5Lt.)

END9503680



Water Bowl 2,5lt (Plastic with Float)  
Plastik Suluk 2,5lt (Plastik - Şamandıralı)

END9503215-4



Water Bowl Valve (Brass)  
Otomatik Suluk Subabı (Piring)

END9503431



Water Bowl Valve (Plastic)  
Otomatik Suluk Subabı (Plastik)

END9503430



Oval Milking Claw (Complete) 240cc  
Komple Oval Pençe 240cc

END140105



Upper Body of Claw 240cc  
Oval Pençe Üstü 240cc

END140105-4



Upper Body of Claw 240cc (with Gasket)  
Oval Pençe Üstü (Contalı) 240cc

END140105-5



Shut Off Valve (Set) 240cc  
Pençe Takozu Takım 240cc

END140105-6



Shut Off Valve Gasket 240cc  
Pençe Kelebeği 240cc

END140105-7



Shut Off Valve 240cc  
Pençe Takozu 240cc

END140105-8



Claw Gasket 240cc  
Pençe Contası 240cc

END140105-9



Bottom Body of Claw 240cc  
Oval Pençe Altı (Gövde) 240cc

END140105-1



Bottom Body of Claw 240cc  
Oval Pençe Altı 240cc

END140105-2



Air Distributor of Claw 240cc  
Süt Pençesi Hava Dağıtıcısı 240cc

END140105-3



Milk Claw Molder 240cc  
Pençe Askısı 240cc

END140105-10



Milk Claw Nut 240cc  
Pençe Kapak Somunu 240cc

END140105-11



Milk Claw Molder 240cc  
Pençe Çıkarıcı Askısı 240cc

END140105-12



Milk Claw Lower Part  
Gasket 240cc  
Pençe Kapağı Alt Contası  
240cc

END140105-13



Pençe Altı (Gövde)  
Bottom Body of Claw

160cc Oval Milking Claw (Complete) / 160cc Komple Oval Pençe

END140102



Milking Claw Transparent Lid Complete 160cc  
Süt Pençesi Şeffaf Kapak Komple 160cc

END140102 -1



Oval Milking Claw Complete 200cc / 200cc Komple Oval Pençe

END140103



Milking Claw Transparent Lid Complete 200cc  
Süt Pençesi Şeffaf Kapak Komple 200cc

END140103 -1



**Milking Claw Stainless Steel 240cc**  
**240cc Paslanmaz Oval Pençe**

**END140300**



**Claw Bottom Bowl (Transparent)**  
**Pençe Kapağı (Şeffaf)**

**END140102-2**



**Claw Bottom Bowl (Transparent)**  
**Pençe Kapağı (Şeffaf)**

**END140104**



**Shut Off Valve (Set) (With Pin)**  
**Pençe Takozu (Takım) (Pimli)**

**END140102-3**



**Shut Off Valve (With Pin)**  
**Pençe Takozu (Pimli)**

**END140102-4**



**Shut Off Valve Gasket**  
**Pençe Kelebeği**

**END140102-5**



**Claw Valve Pin (S/S)**  
**Pençe Mili (Paslanmaz)**

**END140104-2**



**Shut Off Rubber Plug**  
**Pençe Takozu**

**END140104-3**



**Claw Gasket**  
**Pençe Contası**

**END140104-3**



Feeding Bottle Complete (for Calf) (2,5 Lt)  
Biberon Takım Buzağı (2,5 Lt)

END710101



Feeding Bottle Complete for Lamb (1 Lt)  
Biberon Takım Kuzu (1 Lt)

END710102-3



2,5 Lt. Feeding Bottle Nipple  
Red Elastomere

Buzağı Emziği-Kırmızı - Elastomer

END710104-2

2,5 Lt. Feeding Bottle Nipple  
Black Rubber

Buzağı Emziği-Siyah Kauçuk

END710104



Feeding Bottle Complete 2,5lt without Nipple  
Biberon Takım Buzağı 2,5lt (Emziksiz)

END710102-5



Feeding Bottle Nipple's Screw  
Biberon Emziği Pasosu

END710104-6



Teat (Calf Feeder) for Bucket (Black)  
Kova Emziği

END710112



Teat (Calf Feeder) for Bucket (Red)  
Kova Emziği Kırmızı

END710112-2



Lamb Feeding Bucket Nipple for 3  
Küçükbaş Kova Emziği (3'lü için)

END710118





DRY

OIL

VACUUM PUMPS WITH ENGINE / MOTORLU VAKUM POMPALARI			
	CAPACITY	TYPE	ENGINE
END8776766	200 L/min	Dry	0.55 KW-220 V-1450 rpm
END8776766-1	200 L/min	Oil	0.55 KW-220 V-1450 rpm
END8786767	240 L/min	Dry	0.75 KW-220 V-1450 rpm
END8786767-1	240 L/min	Oil	0.75 KW-220 V-1450 rpm



VACUUM PUMPS WITH ENGINE / MOTORLU VAKUM POMPALARI

	CAPACITY	TYPE	ENGINE
END9776766	200 L/min	Dry	0.55 KW-220 V-1450 rpm
END9776766-1	200 L/min	Oil	0.55 KW-220 V-1450 rpm
END9786767	240 L/min	Dry	0.75 KW-220 V-1450 rpm
END9786767-1	240 L/min	Oil	0.75 KW-220 V-1450 rpm



Graphite Pellets (for Dry Pump)  
Grafit Peletler (Kuru Pompa için)

	SIZE (mm)
END410115	4.90 x 43 x 70
END410116	4.90 x 43 x 75
END410117	4.90 x 40 x 65
END410118	4.90 x 41 x 70
END410119	4.90 x 41 x 85
END410120	4.90 x 43 x 80
END410121	6.00 x 46 x 70



Fiber Pellets (for Oily Pump)  
Fiber Peletler (Yağlı Pompa için)

	SIZE (mm)
END510115	4.90 x 43 x 70
END510116	4.90 x 40 x 65
END510117	4.90 x 41 x 70
END510118	4.90 x 41 x 85
END510119	6.00 x 46 x 70
END510120	4.90 x 43 x 75
END510121	4.90 x 43 x 80



END430105-1

Servo Regulator (for Big Pumps)  
Servo Regulator (Büyük Pompalar için)



END510107

Chassis Top Plug Ø73  
Şase Üst Tapası Ø73



END430105

Vacuum Regulator 3/4  
(MMU3)  
Vakum Regulatorü 3/4  
(MMU3)



**100lt**

**END5445560**

**With Piston + 50mt Hose and Spray Gun**

**200lt**

**END5445560**

**With Piston + 50mt Hose and Spray Gun**

**400lt**

**END5445562**

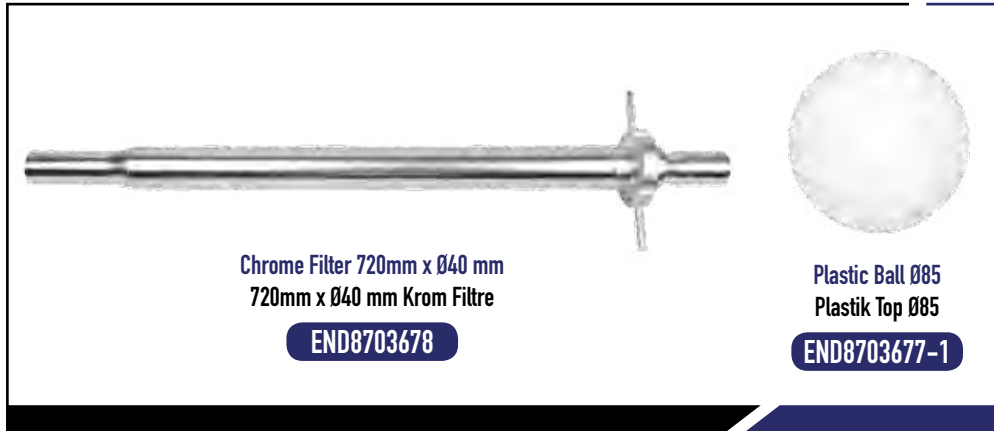
**With Piston + 50mt Hose and Spray Gun**

**END9507078**

	CHASSIS	BOX
Length (cm)	: 130	87
Width (cm)	: 60	62
Height (cm)	: 88	30
Weight (kg)	: 9,4	10,4

**END9507078**





Milk Transfer Set 50lt  
Süt Aktarma Grubu 50lt

END8703585-20

Milk Transfer Set 60lt  
Süt Aktarma Grubu 60lt

END8703585-10

Milk Transfer Set 100lt  
Süt Aktarma Grubu 100lt

END8703585-30





Level Control Panel  
Seviye Tespit Panosu

END8703684-1 1.1kW Monophase

END8703684-2 1.1kW Triphase

END8703684-3 0.75kW Monophase

END8703684-4 0.75kW Triphase



Magnetic Float  
Manyetik Şamandıra

END8703685




Floatpipe Retaining Rubber  
Şamandıra Sabitleme Kauçuğu

END8703685-1



Vacuum & Milk Transfer Pump Control Panel  
Vakum ve Süt Aktarma Pompası Kontrol Panosu

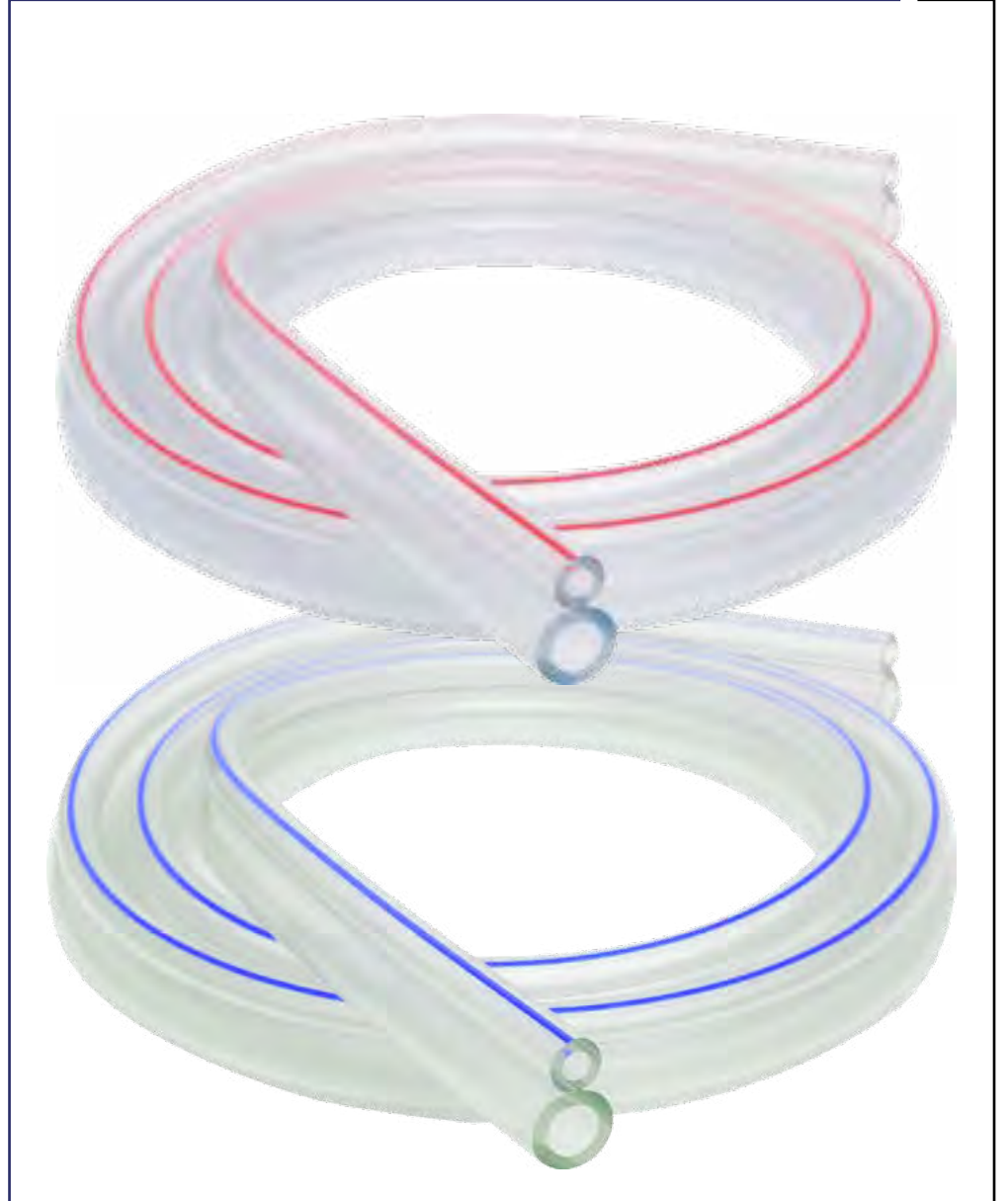
		VACUUM PUMPS / VAKUM POMPALARI				PRODUCT CODE ÜRÜN KODU
		2.2 kW	3 kW	5.5 kW	7.5 kW	
MILK TRANSFER PUMP	Mono Phase 1.1 kW	M1122	M1130	M1155	M1175	END8703684-1
	Theree Phase 1.1 Kw	T1122	T1130	T1155	T1175	END8703684-2
	Mono Phase 0.75 kW	M7522	M7530	M7555	M7575	END8703684-3
	Theree Phase 0.75 kW	T7522	T7530	T7555	T7575	END8703684-4



Ref.	Inside Ø	Outside Ø	Color		
			Transparent	Black	Blue
3271	7	14	●		
3271-2	7	14		●	
3271-3	7	14			●

**Pulse Hose (Transparent) / Nabız Hortumu (Şeffaf)**  
**Pulse Hose (Black) / Nabız Hortumu (Siyah)**



**END210104-4**



1 x Milk		1 x Pulse		Color Transparent
Inside Ø	Outside Ø	Inside Ø	Outside Ø	
14	22	7	14	○

**Milk and Pulse Hose for Sheep and Goats / Koyun ve Keçi için Süt ve Nabız Hortumu**

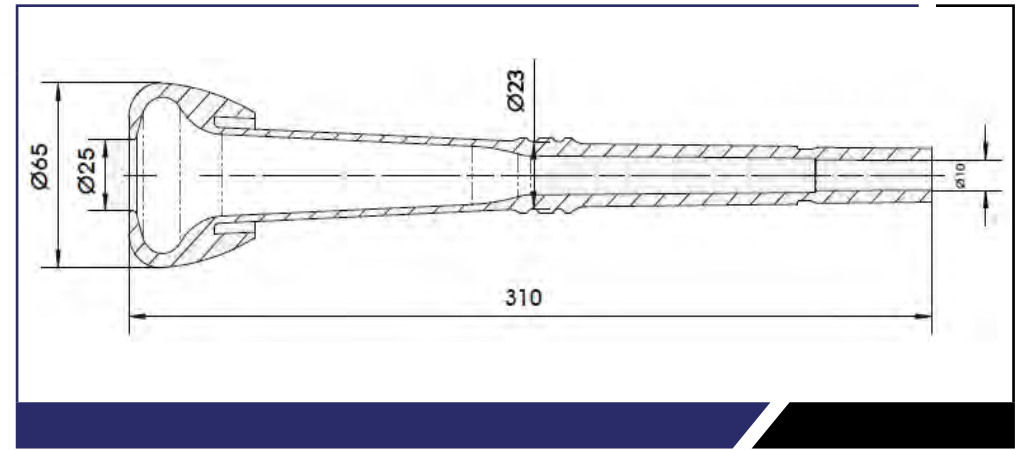
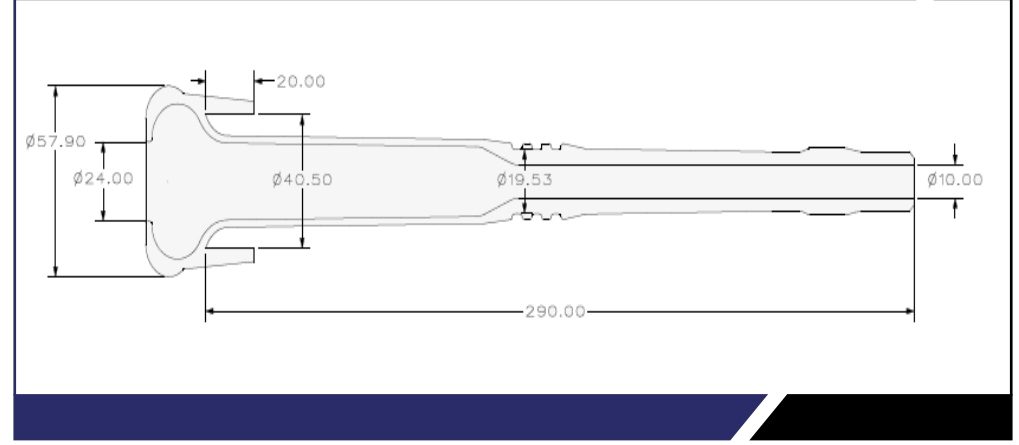
**END210104-4**


Ref.	Inside Ø	Outside Ø	Color
3273	14	22	●

**Triple Milk Hose / 3'lü Süt Hortumu**

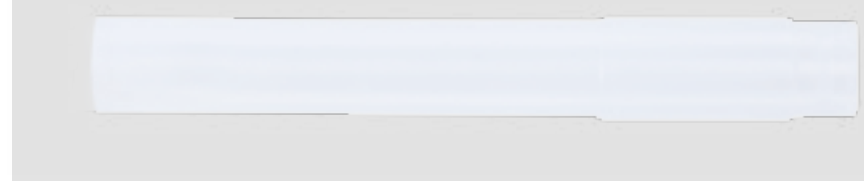
**END210104-3**





Short Milk Tube (Rubber) / Kısa Süt Hortumu (Kauçuk)

END210102



Short Milk Tube (Silicone) / Kısa Süt Hortumu-(Silikon)

END210102-1



Long Milk Tube (Rubber) / Uzun Süt Hortumu (Kauçuk)  
Long Milk Tube (Silicone) / Uzun Süt Hortumu (Silikon)

END210101  
END210101-1



Short Vacuum Tube (Rubber) / Kısa Hava Hortumu (Kauçuk)  
Short Vacuum Tube (Silicone) / Kısa Hava Hortumu (Silikon)

END210103  
END210103-1



Ref.	Inside Ø	Outside Ø	Color		
			Transparent	Black	Blue
3272	14	22	●		
3272-2	14	22		●	
3272-3	14	22			●
3434	14	24	●		
3434-2	14	24		●	
3434-3	14	24			●
3442	16	25	●		
3443	16	32	●		

Single Milk Hose / Tekli Süt Hortumu 14x24

END210104



Ref.	Inside Ø	Outside Ø	Color		
			Transparent	Black	Blue
3444	7	14	●		
3444-2	7	14		●	
3444-3	7	14			●

Single Milk Hose / Tekli Süt Hortumu 16x26

END210104 -1



Sheep Milking Cluster (Rubber)  
Koyun Sağım Demeti (Kauçuk)

END150103-1



Goat Milking Cluster (Rubber)  
Keçi Sağım Demeti (Kauçuk)

END150101-1



Sheep Milking Cluster (Silicone)  
Koyun Sağım Demeti (Silikon)

END150103



Goat Milking Cluster (Silicone)  
Keçi Sağım Demeti (Silikon)

END150101



Pump On Tank 34 L. with Motor

Vacuum Pump / Vakum Pompası 450 Capacity Oil Type -  
Vacuum Tank / Vakum Tankı 1.200rpm 55 lt.  
Electric Engine / Elektrik Motoru 1,55 kW 2 hp 220V/50hz  
Milking Capacity / Sağım Kapasitesi 4-6 Milking Capacity, 60 Cows/Hour  
Additional Parts / İlave Parçalar Servo Regulator & Ø100 Vacuum Meter



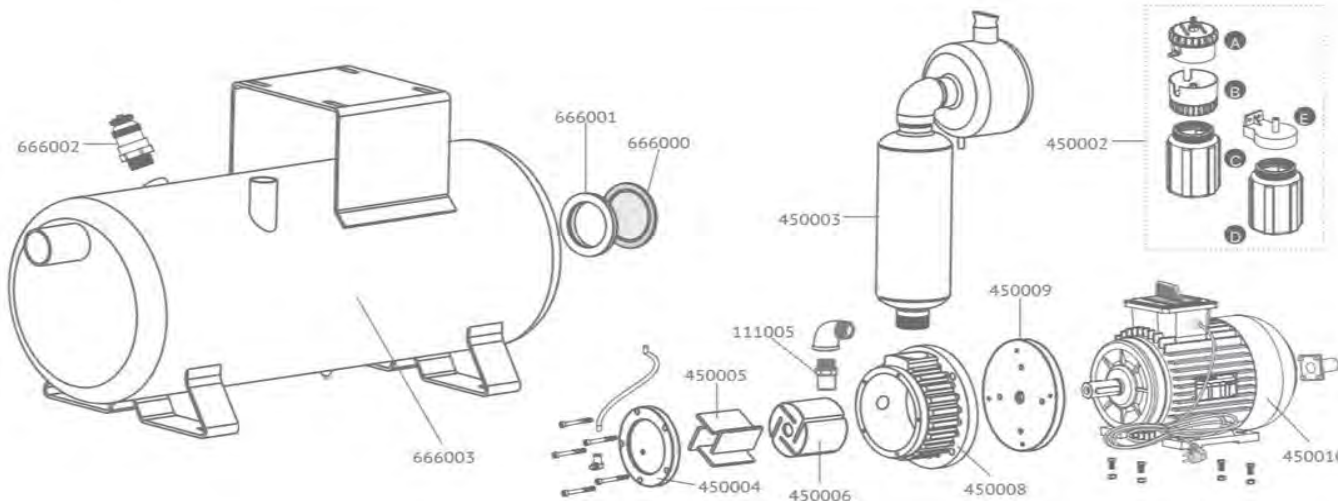
**END9103645-4**

ily 450 - Pump with Silencer Oil Container & Pulley

Monofaze Rotari Vakum Pompaları • Monophase Rotary Vane Vacuum Pumps

Ref.	Model	RPM	HP	KW	Volt	Hz	Capacity @50 kPa Lt./min	Type
450000	GPV 450	1400	2	1,55	220	50	450 Lt.	OIL
450001	PV 450	1400	2	1,55	220	50	450 Lt.	OIL

Note : This item is available in 110 v 60 hz





Pump On Tank 34 L. with Motor

Vacuum Pump / Vakum Pompası 750 Capacity Oil Type - 1.200rpm  
 Vacuum Tank / Vakum Tankı 55 lt.  
 Electric Engine / Elektrik Motoru 1.50 kW 3 hp 220V/50Hz  
 Milking Capacity / Sağım Kapasitesi 6-8 Milking Capacity, 80 Cows/Hour  
 Additional Parts / İlave Parçalar Servo Regulator & Ø100 Vacuum Meter



Fiber Palet 4,90 \* 41,50 \* 100 mm

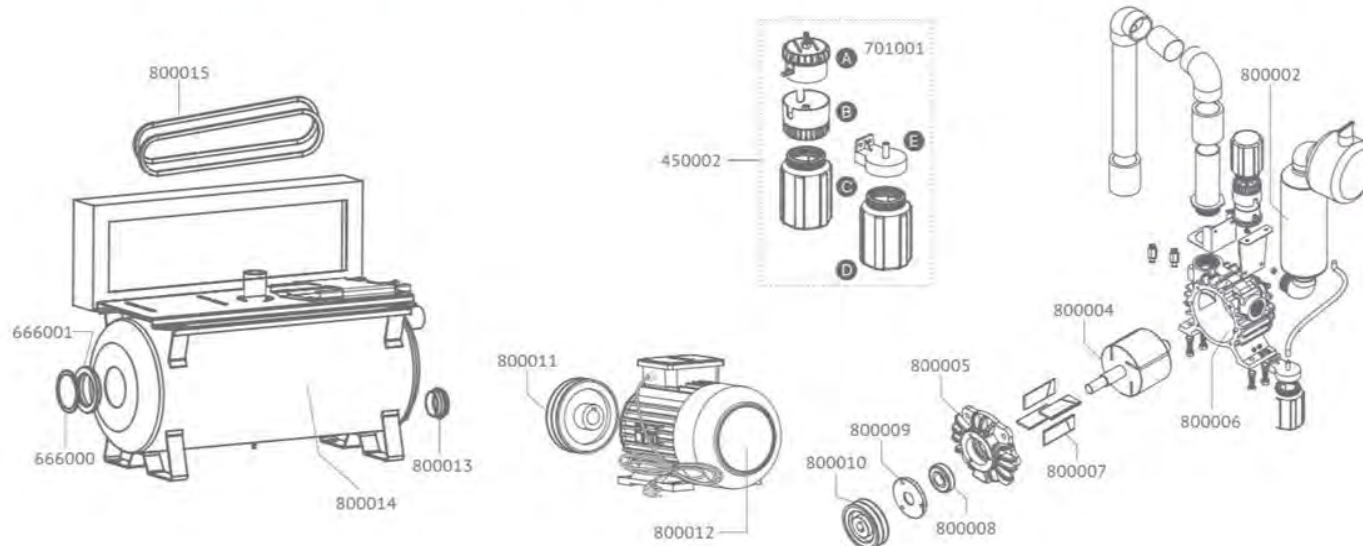


**END9103655-4**

Only 750 - Pump with Silencer Oil Container & Pulley

### Rotari Vakum Pompaları • Rotary Vane Vacuum Pumps

Ref.	Model	RPM	HP	KW	Volt	Hz	Capacity @50 kPa Lt./min	Vacuum Tank Capacity
800000	GPV 750	1200	3	1,50	220	50	750 Lt.	55 lt.
800001	PV 750	1200	3	1,50	220	50	750 Lt.	-





END9103609-4

Only 1000/1.100 - Pump with Silencer Oil Container & Pulley

Vacuum Pump / Vakum Pompası 1000 Capacity Oil Type - 1.200rpm  
 Vacuum Tank / Vakum Tankı 65 lt.  
 Electric Engine / Elektrik Motoru 2,2 kW 4 hP 220V/50hZ  
 Milking Capacity / Sağıım Kapasitesi 10-12 Milking Capacity, 100 Cows/Hour  
 Additional Parts / İlave Parçalar Servo Regulator & Ø100 Vacuum Meter



Fiber Palet 4,90 \* 41,50 \* 100 mm



END9103609

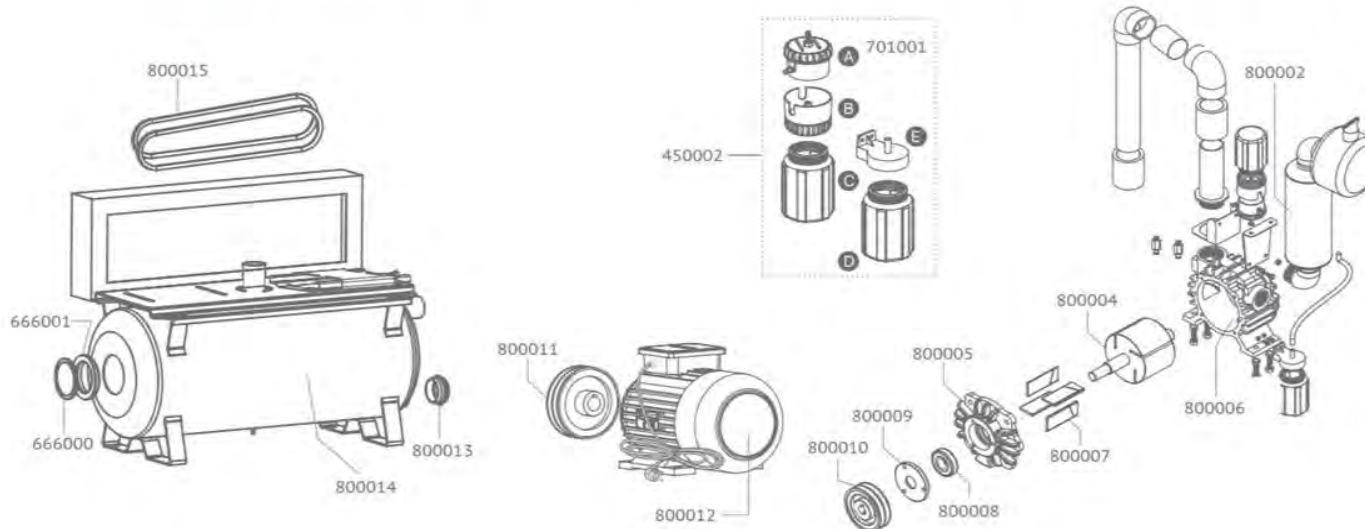
Pump On Tank 34 L. with Motor



FREE

Rotari Vakum Pompaları • Rotary Vane Vacuum Pumps

Ref.	Model	RPM	HP	KW	Volt	HZ	Capacity @50 kPa Lt./min	Vacuum Tank Capacity
100000	GPV 1000	1200	4	2,20	220	50	1000 Lt.	65 lt.
100001	PV 1000	1200	4	2,20	220	50	1000 Lt.	-





END9103634

Pump On Tank 34 L. with Motor

Vacuum Pump / Vakum Pompası 1500 Capacity Oil Type - 1.300rpm  
 Vacuum Tank / Vakum Tankı 85 lt.  
 Electric Engine / Elektrik Motoru 3,0 kW 5.5 hP 380V/50Hz  
 Milking Capacity / Sağıım Kapasitesi 14-20 Milking Capacity, 100 Cows/Hour  
 Additional Parts / İlave Parçalar Servo Regulator & Ø100 Vacuum Meter



Fiber Palet 4,90 \* 41,50 \* 150 mm

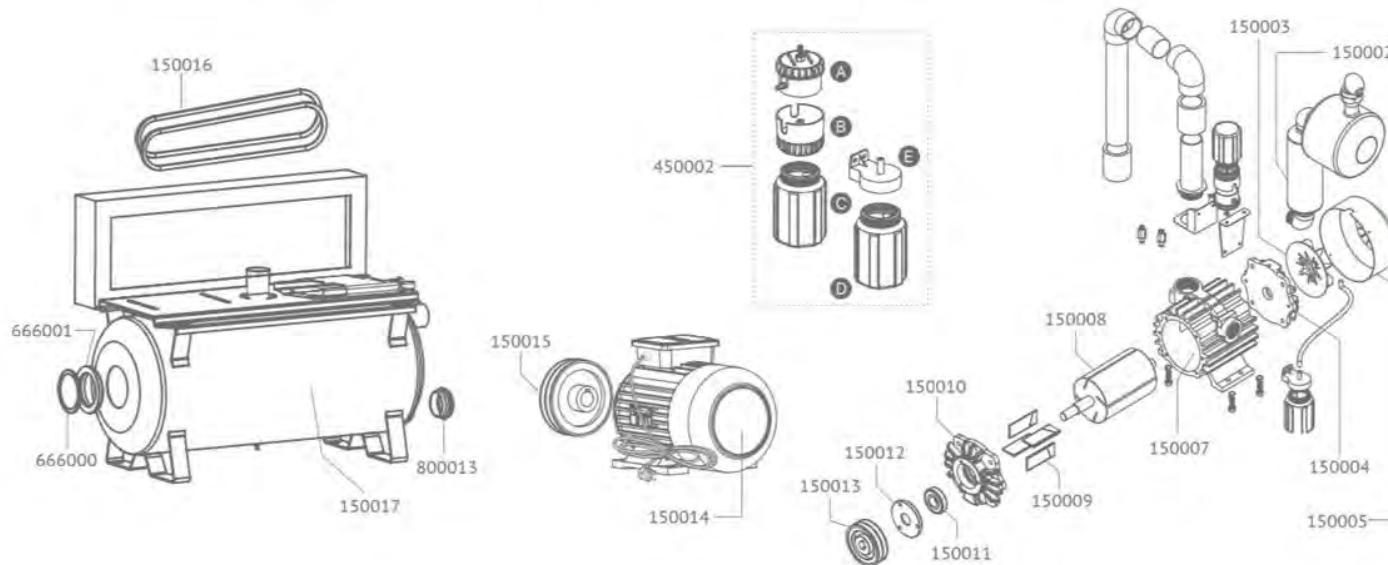


END9103634-4

Only 1500 - Pump with Silencer Oil Container & Pulley

Rotari Vakum Pompaları • Rotary Vane Vacuum Pumps

Ref.	Model	RPM	HP	KW	Volt	Hz	Capacity @50 kPa Lt./min	Vacuum Tank Capacity
150000	GPV 1500	1300	5.5	3,00	380	50	1500 Lt.	85 lt.
150001	PV 1500	1300	5.5	3,00	380	50	1500 Lt.	-





END9103635-4

Only 2000 - Pump with Silencer  
Oil Container & Pulley

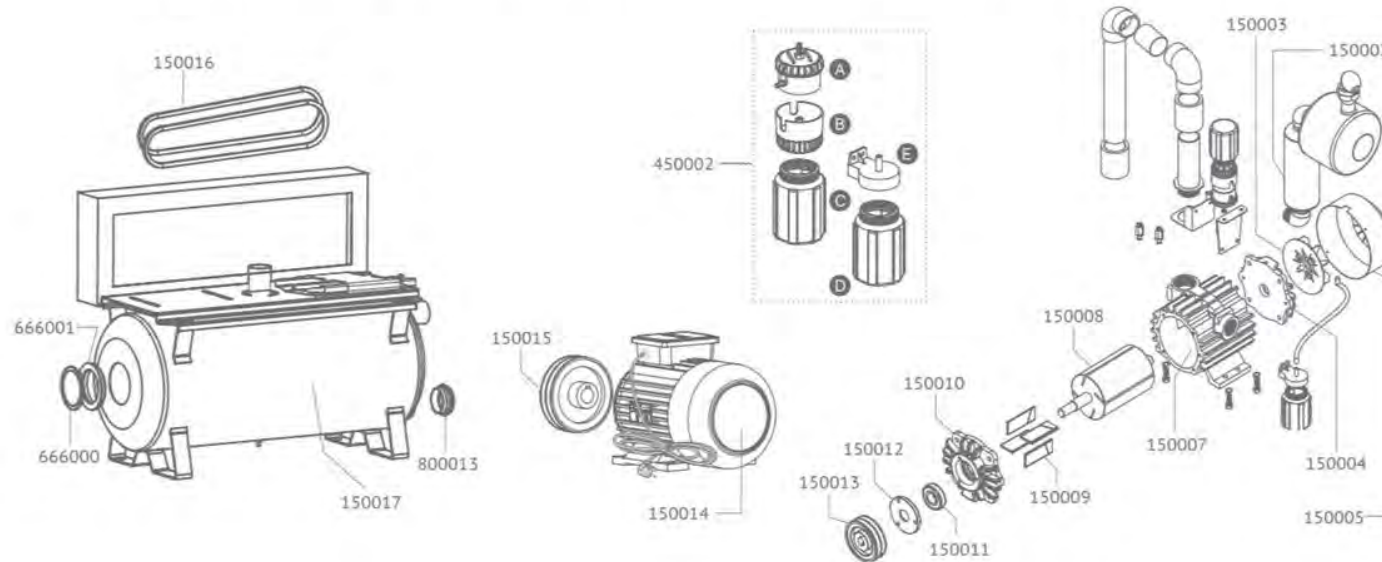
Vacuum Pump / Vakum Pompası 2000 Capacity Oil Type - 1.350rpm  
Vacuum Tank / Vakum Tankı 85 lt.  
Electric Engine / Elektrik Motoru 4 kW 7,5 hP 380V/50Hz  
Milking Capacity / Sağım Kapasitesi 20-30 Milking Capacity, 150 Cows/Hour  
Additional Parts / İlave Parçalar Servo Regulator & Ø100 Vacuum Meter

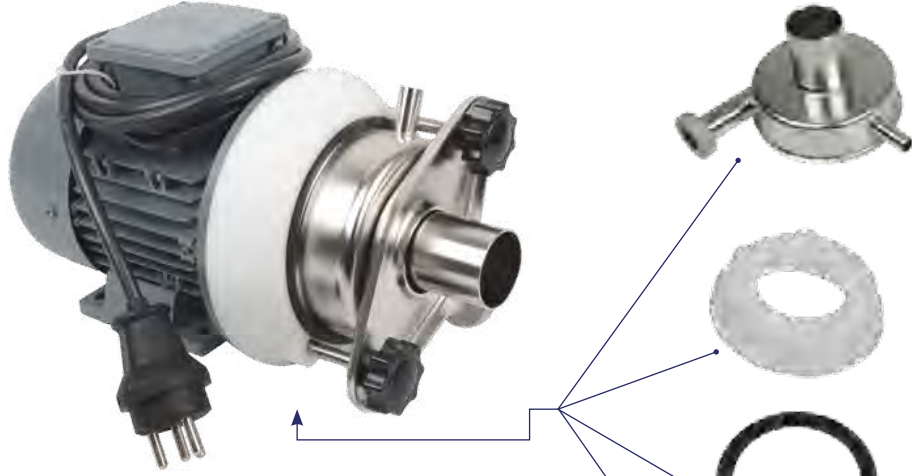


Pump On Tank 34 L. with Motor

### Rotari Vakum Pompaları • Rotary Vane Vacuum Pumps

Ref.	Model	RPM	HP	KW	Volt	Hz	Capacity @50 kPa Lt./min	Vacuum Tank Capacity
200000	GPV 2000	1350	7.5	4,00	380	50	2000 Lt.	85 lt.
200001	PV 2000	1350	7.5	4,00	380	50	2000 Lt.	-



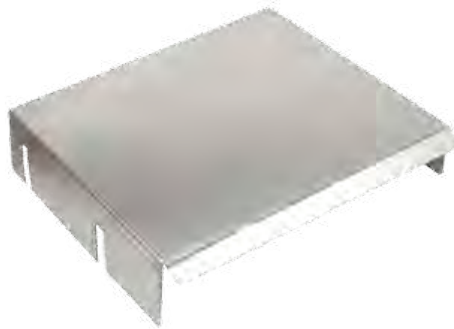


Parlour Milk Transfer Pump (10 Ton / Hours)  
Sağımhane Süt Aktarma Pompası (10 Ton / Saat)

- END8703585 1.1kW Monophase
- END8703585-1 1.1kW Triphase
- END8703585-2 0.75kW Monophase
- END8703585-3 0.75kW Triphase



Milking Transfer Pump Wall Holder (Set)  
Süt Aktarma Pompası Duvar Bağlantı Ayağı (Takım)  
END8703585-8



Cover for Milk Transfer Pump  
Süt Aktarma Pompası Muhafaza Kapağı  
END8703585-9



Outlet for Milk Transfer Pump S/S Ø38mm  
Süt Aktarma Pompası Çıkış Dirseği Ø38mm  
END8703585-6



Outlet for Milk Transfer Pump S/S Ø38mm  
Süt Aktarma Pompası Çıkış Dirseği Ø38mm  
END8703585-7



Outlet for Milk Transfer Pump S/S Ø38mm  
Süt Aktarma Pompası Çıkış Dirseği Ø38mm  
END8703585-14



Outlet for Milk Transfer Pump S/S Ø38mm  
Süt Aktarma Pompası Çıkış Dirseği Ø38mm  
END8703585-15



Non Return Valve Ø32  
Dilli Klape Ø32  
END8703659-1



Mini Valve (1/2" x Ø16)  
Mini Vana (1/2" x Ø16)

END510111



Mini Valve (Ø16 x Ø16)  
Mini Vana (Ø16 x Ø16)

END510111-2



Cluster Washer Set  
Sistem Yıkama Takımı

END8107033



Foldable Cluster System Washing Tray  
Katlanabilir Sistem Yıkama Tablası

END8107039



Exhaust (Silencer) Dry  
Egzoz (Susturucu) Kuru

END710103

Exhaust (Silencer) Oily  
Egzoz (Susturucu) Yağlı

END710105



Cluster Washer Set  
Sistem Yıkama Takımı

END8107033-1



Foldable Cluster System Washing Tray  
Katlanabilir Sistem Yıkama Tablası

END8107039-1



Tube Clip (S-Type)  
Hortum Kelepçesi (S Tipi)

END510108



Tube Clip (U-Type)  
Hortum Kelepçesi (U Tipi)

END510108-1



Tube Clip  
Hortum Kelepçesi

END510108-2



Milk Stopper (Metal Cage)  
Süt Stop (Metal Hazneli)

END510122-1



Milk Stopper (Plastic Cage)  
Süt Stop (Plastik Hazneli)

END510122



End Cap for Cluster Washer Pipe  
Sistem Yıkama Takımı Boru Tapası

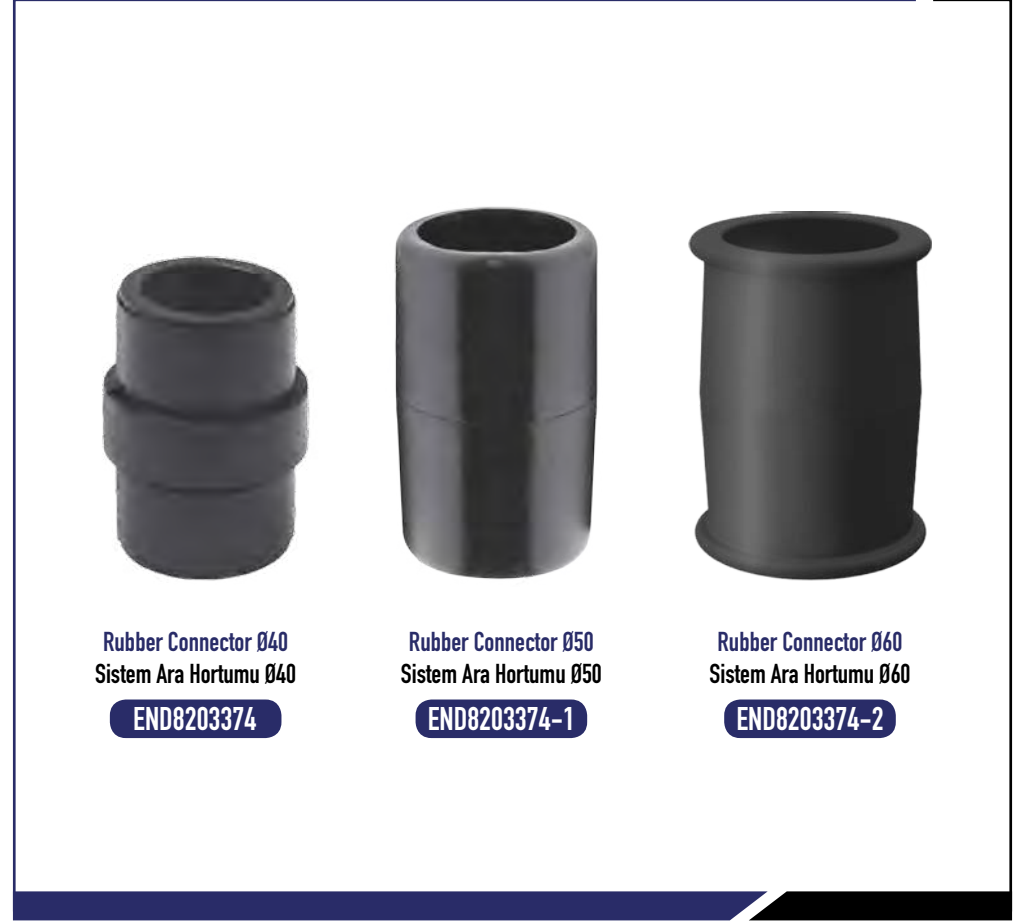
END8103322



E-Tube of Cluster Washer (Small)  
Sistem Yıkama E - Hortumu (Küçük)

END8103319







Rubber Connector Ø50  
Sistem Ara Hortumu Ø 50

END8303326



Rubber Connector Ø38  
Sistem Ara Hortumu Ø38

UMS8303326-1



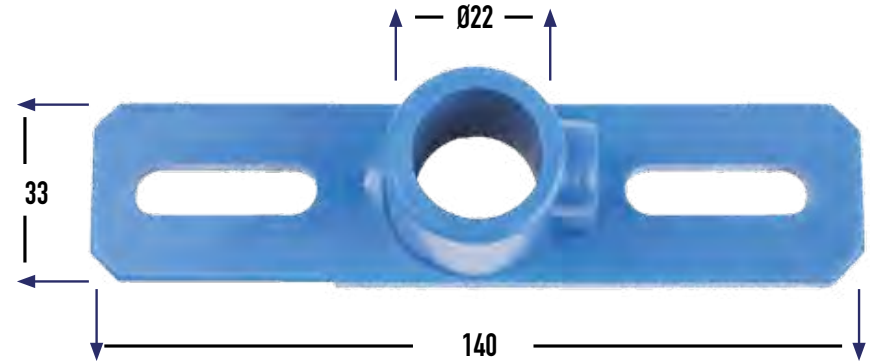
Plastic Washing Trough (80 Lt-With Bracket)  
Plastik Yıkama Havuzu ( 80 Lt-Ayaklı)

END8803780



Plastic Connector Ø51  
Sistem Plastik Boru  
Bağlantısı Ø51

END8303382



Pipe Holder Bracket  
Sistem Duvara Montaj Aparatı

END8303378



Rubber Stopper with Inox Exit (Ø50 X 16)  
Paslanmaz Çıkışlı Kauçuk Durdurucu (Ø50 X 16)

END8403664



Rubber Stopper with Inox Exit (Ø38 X 16)  
Paslanmaz Çıkışlı Kauçuk Durdurucu (Ø38 X 16)

END8403663



Endcap for Pipeline Ø52  
Sistem Kör Tapası Ø52

END8403377



Endcap for Pipeline Ø54  
Sistem Kör Tapası Ø54

END8403429



Rubber Stopper of Receiving Ø60  
Sistem Kör Tapası Ø60

END8403376



Endcap for Pipeline Ø38  
Sistem Kör Tapası Ø38

END8403380



S/S Milk Inlet with Bend Inlet 180° (Ø50-Ø52 mm) (Vertical) Ø18 mm  
Paslanmaz 180° Süt Girişi (Ø50-Ø52 mm) (Dikey) Ø18mm

END8503670

END8503676



S/S Milk Inlet with Bend Inlet 180° with Hose Clamp (Ø50-Ø60 mm) (Vertical) Ø18 mm  
Paslanmaz 180° Hortum Kelepçeli Süt Girişi (Ø50-Ø60 mm) (Dikey) Ø18mm

END8503671



S/S Milk Inlet with Bend Inlet  
90° (Ø50-Ø52 mm) (Vertical)  
Ø18 mm

Paslanmaz 90° Süt Girişi  
(Ø50-Ø52 mm) (Dikey) Ø18mm

END8503672



S/S Milk Inlet with Bend Inlet 90°  
(Ø50-Ø52 mm) (Parallel) Ø18 mm  
Paslanmaz 90° Süt Girişi (Ø50-Ø52 mm)  
(Paralel) Ø18mm

END8503672



END8503676-1



S/S Milk Inlet with Bend Inlet 90°  
with Hose Clamp  
(Ø50-Ø60 mm) (Vertical) Ø18 mm  
Paslanmaz 90° Hortum Kelepçeli  
Süt Girişi (Ø50-Ø60 mm)  
(Dikey) Ø18mm

END8503673



S/S Milk Inlet with Bend Inlet 90°  
(Ø50-Ø60 mm) (Parallel) Ø18 mm  
Paslanmaz 90° Süt Girişi  
(Ø50-Ø60 mm) (Paralel) Ø18mm

END8503673-1



Gaslet for Milk Entry Ø18  
Süt Giriş Contası-Ø18

END8503644



S/S Milk Inlet  
(Ø50-52 mm 16x18 mm)  
Paslanmaz Düz Süt Girişi  
(Ø50-52 mm 16x18 mm)

END8503674



Cow Milking Clusters (Rubber)  
160cc RUBBER LINERS &  
PLASTIC SHELL WITH  
STAINLESS STEEL RING

END140100-1



S/S Milk Inlet with Hose Clamp Ø50  
(Ø50-52 mm 16x18 mm)  
Paslanmaz Düz Hortum Kelepçeli Süt Girişi  
(Ø50-52 mm 16x18 mm)

END8503675



Cow Milking Clusters (Rubber)  
240cc RUBBER LINERS &  
PLASTIC SHELL

END140101-2

## Pipeline Systems Equipments / Kilit Arkası Ekipmanları



Pulsator Adapter (Slide)  
Pulsatör Adaptörü (Kızak)

END8603696-1



Hose Holder  
Hortum Tutucu

END8603696-2



Pulsator Adapter Kit  
Pulsatör Adaptör Seti

END8603696



40 Lt Bucket Lid (with Skirt)  
40 Lt Güğüm Kapağı ( Etekli )

END310101



40 Lt Bucket Lid (Flat)  
40 Lt Güğüm Kapağı (Düz)

END310101-1



30 Lt Bucket Lid (Flat-3G)  
30 Lt Güğüm Kapağı (Düz-3G)

END310105



30 Lt Bucket Lid (Flat-2G)  
30 Lt Güğüm Kapağı (Düz-2G)

END310104



30 Lt Bucket Lid (with Skirt-3G)  
30 Lt Güğüm Kapağı (Etekli-3G)

END310105-1



30 Lt Bucket Lid (with Skirt -2G)  
30 Lt Güğüm Kapağı (Etekli -2G)

END310104-1



Vacuum Tank Lid  
Vakum Tank Kapağı

END440101



Vacuum Tank Lid Gasket  
Vakum Tank Kapak Contası

END440101-1



Vacuum Tank Side Lid (Big Type-Transparent) Gasket  
Vakum Tankı Yan Kapağı (Büyük-Şeffaf) Contası

END440101-2



Vacuum Tank Lid (Big-Transparent)  
Vakum Tankı Kapağı (Büyük-Şeffaf)

END440101-3



END440101-5



END440101-6



Outer Gasket of Vacuum Tank  
Vakum Tank Dış Contası

END8903547



Inner Gasket of Vacuum Tank  
Vakum Tank İç Contası

END8903546



30 Lt. Bucket Lid (S/S)  
30 lt. Güçüm Kapağı (Paslanmaz)

END330127



30 Lt. Bucket Lid (S/S)  
30 lt. Güçüm Kapağı (Paslanmaz)

END330127-1



Bucket Transfer Lid Ø38 (S/S)  
Güçüm Transfer Kapağı Ø38 (Paslanmaz)

END330104-2



4gU WF dS eba f > [VB'Sef[U(Black)  
Güğüüm Taşıma Kapağı B'Sef]] (Siyah)



END320104

Bucket Transport Lid Rubber (Black)  
Güğüüm Taşıma Kapağı Kauçuk (Siyah)



END320102

Rubber Handle  
Elcik



END384552

Lid for Feed Crusher (Small)  
Yem Kırma Kapağı--( Küçük )



END8903218



END410101

Gasket of 40 Lt Bucket Lid ( with Skirt )  
40 Lt Güğüüm Kapak Contası ( Etekli )

END410103

Gasket of 30 Lt Bucket Lid ( with Skirt )  
30 Lt Güğüüm Kapak Contası ( Etekli )

A	B	C
215	184	234
175	150	198



END410103-1

Gasket of 30 Lt Bucket Lid ( Flat )  
30 Lt Güğüüm Kapak Contası ( Düz )



END410101-1

Gasket of 40 Lt Bucket Lid ( Flat )  
40 Lt Güğüüm Kapak Contası ( Düz )



END410101-2

Gasket of 40 Lt Bucket Lid ( Flat )  
40 Lt Güğüüm Kapak Contası ( Düz )



Aluminum Conical Pail Bucket (10 Lt.)

Aluminyum Konik Kova (10 Lt.)

END9503573



DIP CUP -  
RETURNABLE  
Meme Daldırma Kabı

END710119



Aluminum Milk Meter (1/2 Lt.)  
Aluminyum Keççe-(1/2 Lt.)

END9503682



Aluminum Milk Meter (1 Lt.)  
Aluminyum Keççe-(1Lt.)

END9503681



Inox Milk Strainer  
Paslanmaz Süt Süzme Eleği

END9503571



Aluminum Milk Strainer  
Alüm.Süt Süzme  
Eleği

END9503568



Milk Detector  
Süt Dedektörü

END9503569



Mastitis Detector  
Mastitis Dedektörü

END9503575



Anti Kick Bar  
Tekmesavar

END9503320



Circular Hay Chopper  
Machine  
4HP 3Kw  
3000 Rpm  
220 Volt  
50 Hz

END9503689



Square Hay Chopper  
Machine  
4HP 3Kw  
3000 Rpm  
220 Volt  
50 Hz

END9503690

Fodder Crushing  
4HP 3Kw 3000 Rpm  
220 Volt  
50 Hz

END9503576





Calf Feeder (8 Lt)  
Buzajı Emzikli Kova (8 Lt)  
END710111



Lamb Buckets for 3 (8 Lt)  
Küçükbaş Emzikli Kova 3'lü (8 Lt)  
END710116



Back Metal Holder for Feeding  
Kova Asma Aparatı (Metal)  
END710116-1



Lamb Feeding Bucket Valf  
Kova Emzik Vidası  
END710113



Plastic Mat for Goats & Sheep  
(805mm x 605mm x 50mm)  
END1545569

Plastic Mat for Goats & Sheep  
(5200mm x 390mm x 55mm)  
END1545568



Rubber Mat for Cows  
(1.100mm x 1.900mm x 18mm)  
END1545567



GS1AK



GS1SK



240cc Claw Optional  
240cc Pençe Opsiyonel



Plastic Liner Shell Optional  
Plastik Memelik Kılıfı Opsiyonel



Silicone Liner Optional  
Silikon Memelik Opsiyonel

## Bucket Milking for Cows & Buffalos Güğüm Sağım Ünitesi (Büyükbaş)

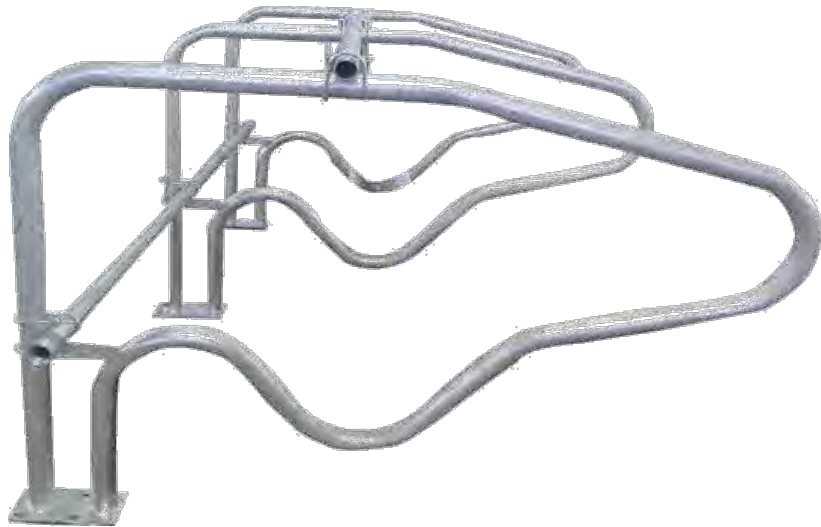


Bucket Güğüm	30 Lt Stainless Steel 30 Lt Paslanmaz
Claw Pençe	160 cc 160 cc
Liner Memelik	Rubber Kauçuk



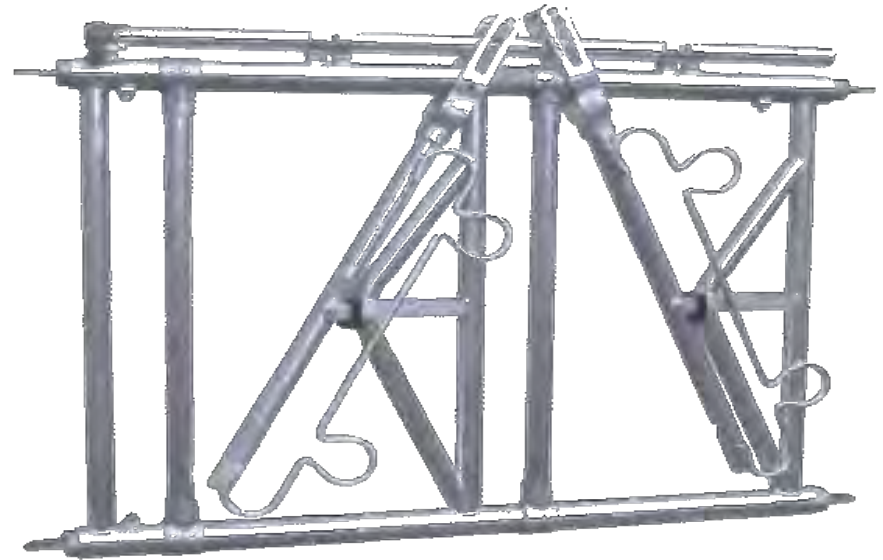
**END510125**  
Long Brush  
Uzun Firça

**END510126**  
Short Brush  
Kısa Firça



FREE STALL FOR COW (EACH) 2,5mm  
Thickness, Galvanized DKP Pipe

**END2484508**



Head Locks for Cow (Each) (4mt - 4 Heads)  
L: 105cm W: 320cm Ø: 50mm Sheet  
Thickness: 3mm

**END3224551**

Head Locks for Cow (Each) (5mt - 5 Heads)  
L: 105cm W: 400cm Ø: 50mm Sheet  
Thickness: 3mm

**END3224552**



**END99776125**

125lt

**END99776200**

200lt

**END99776300**

300lt

**END99776500**

500lt

**END99771000**

1.000lt

**END99771500**

1.500lt

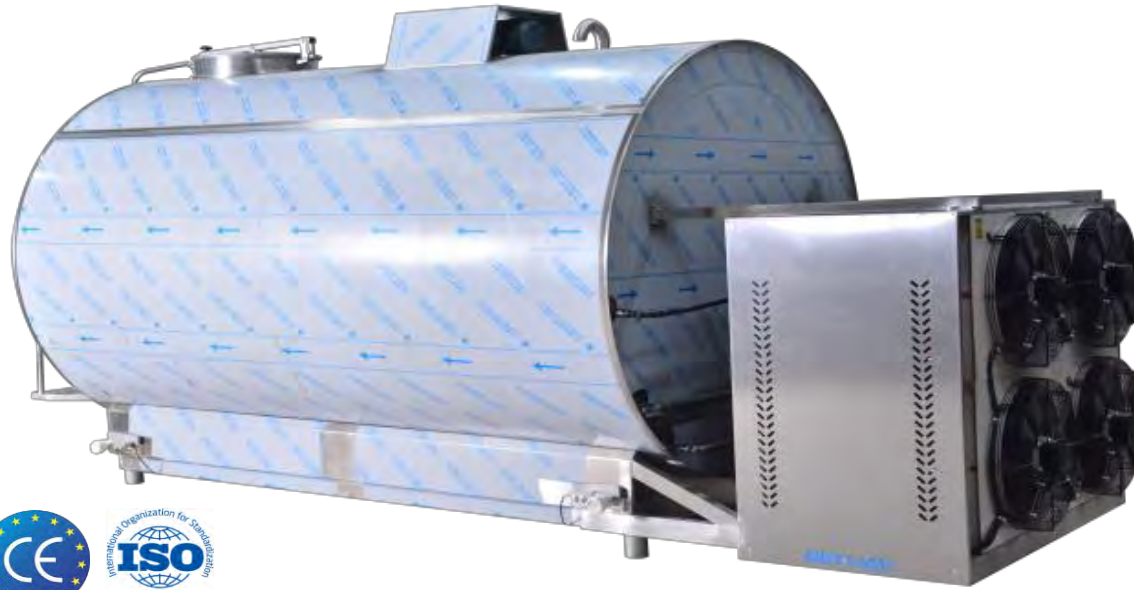
**END99772000**

2.000lt

**Vertical Cylindrical & Open Type Cooling Tank**

**Dikey Silindirik Süt Soğutma Tankı**

\* automatic washing & digital scale are optional



**END99773000**

3.000lt

**END99775000**

5.000lt

**END99776000**

6.000lt

**Horizontal Cylindrical & Open Type Cooling Tank**

**Yatay Silindirik Süt Soğutma Tankı**

\* automatic washing & digital scale are included

# Milk Cooling Tanks Süt Soğutma Tankları

## 125 Lt Milk Cooling Tank Product Content

PART	DIMENSION	MATERIAL
Platform Plate	400x400x1.5 mm	AISI 201
Condenser	4,5-5,5 m <sup>2</sup>	AZAK, BUZÇELİK, COLDIVA AND SO ON
Fan	Ø 300 mm	DUNLI, AKSA MOTOR FAN, SANMU, WENTO AND SO ON
Compressor	NEU 6215 GK (1/2 HP)	EMBRACO
Drayer	1/4' 052S	CASTEL
Expansion Valve	Ø1,2 MM	CAPİLLARY TUBE
Servise Pressure Relief Valve	1/4'	
Copper Fitting	1/2' - 3/8' - 5/8'	
Bottom Panel Thermoplastics	110x120x150 mm	METE
Automat	C1x10A	SIEMENS
Digital Thermostat	MT-V01 , MT-V02	UNITE ELEKTRONIK
Fitting	PG16	ORTAÇ
Mono Phase Male Plug	220 V 16A	METE
Cable TTR	3x2,5 mm	ÖZNUR KABLO
Cable Control	4x0,75 mm	ERSE
Temperature Probe	10K	
Cooler Gas	R404-A	C-GAS
Electric Terminal		PHOENIX
Electric Terminal Stopper		PHOENIX
Cartilage	10 mm Spiral	
Chassis	Sheet Metal Twisted Chassis	AISI 201 460x460X550 mm
Butterfly Valve	DN50	AISI 304
Steel Spring	1x30x70 mm	AISI 304
Mixer Motor	15W- 30 r/m - 220V	FINEX
Profile Adjustable Feet	Ø45xM12x45 mm	SANAY BAKALİT



## 200 Lt Milk Cooling Tank Product Content

PART	DIMENSION	MATERIAL
Platform Plate	470x470x1.5 mm	AISI 201
Condenser	6-7 m <sup>2</sup>	AZAK, BUZÇELİK, COLDIVA AND SO ON
Fan	Ø 300 mm	DUNLI, AKSA MOTOR FAN, SANMU, WENTO AND SO ON
Compressor	NEU 6220 GK (3/4 HP)	EMBRACO
Drayer	3/8' 083S	CASTEL
Expansion Valve	Ø1,5 MM	CAPİLLARY TUBE
Servise Pressure Relief Valve	1/4'	
Copper Fitting	1/2' - 3/8' - 5/8'	
Bottom Panel Thermoplastics	110x120x150 mm	METE
Automat	C1x10A	SIEMENS
Digital Thermostat	MT-V01 , MT-V02	UNITE ELEKTRONIK
Fitting	PG16	ORTAÇ
Mono Phase Male Plug	220 V 16A	METE
Cable TTR	3x2,5 mm	ÖZNUR KABLO
Cable Control	4x0,75 mm	ERSE
Temperature Probe	10K	
Cooler Gas	R404-A	C-GAS
Electric Terminal		PHOENIX
Electric Terminal Stopper		PHOENIX
Cartilage	10 mm Spiral	
Chassis	Sheet Metal Twisted Chassis	AISI 201 550x550X560 mm
Butterfly Valve	DN50	AISI 304
Steel Spring	1x30x70 mm	AISI 304
Mixer Motor	15W- 30 r/m - 220V	FINEX
Profile Adjustable Feet	Ø45xM12x45 mm	SANAY BAKALİT



### 300 Lt Milk Cooling Tank Product Content

PART	DIMENSION	MATERIAL
Platform Plate	570x570x1.5 mm	AISI 201
Condenser	9,5-10.5 m <sup>2</sup>	AZAK, BUZÇELİK, COLDIVA AND SO ON
Fan	Ø 350 mm	DUNLİ, AKSA MOTOR FAN, SANMU, WENTO AND SO ON
Compressor	NT 6226 GK (1+ HP)	EMBRACO
Drayer	3/8' 083S	CASTEL
Expansion Valve	Ø2 MM	CAPİLLARY TUBE
Servise Pressure Relief Valve	1/4'	
Copper Fitting	1/2' - 3/8' - 5/8'	
Bottom Panel Thermoplastics	110x120x150 mm	METE
Contactör	3RT-2015-1AP01 3 KW	SIEMENS
Automat	C1x10A	SIEMENS
Digital Thermostat	MT-V01 , MT-V02	UNITE ELEKTRONIK
Fitting	PG16	ORTAÇ
Mono Phase Male Plug	220 V 16A	METE
Cable TTR	3x2,5 mm	ÖZNUR KABLO
Cable Control	4x0,75 mm	ERSE
Temperature Probe	10K	
Cooler Gas	R404-A	C-GAS
Electric Terminal		PHOENIX
Electric Terminal Stopper		PHOENIX
Cartilage	10 mm Spiral	
Suction Line Accumulator	TC-204	T-COLD
Chassis	Sheet Metal Twisted Chassis	AISI 201 650x650x620 mm
Butterfly Valve	DN50	AISI 304
Steel Spring	1x30x70 mm	AISI 304
Mixer Motor	15W- 30 r/m - 220V	FINEX
Profile Adjustable Feet	Ø45xM12x45 mm	SANAY BAKALİT

## Milk Cooling Tanks Süt Soğutma Tankları



### 500 Lt Milk Cooling Tank Product Content

PART	DIMENSION	MATERIAL
Platform Plate	400x850x1 mm	AISI 430
Condenser	13-17 m <sup>2</sup>	AZAK, BUZÇELİK, COLDIVA AND SO ON
Fan	Ø 400 mm	DUNLİ, AKSA MOTOR FAN, SANMU, WENTO AND SO ON
Compressor	NJ 9238 GK (1,5 HP)	EMBRACO
Drayer	1/2' 164S	CASTEL
Expansion Valve	TS2 06823414	DANFOSS , SANHUA, HONEYWELL AND SO ON
Orifice	NO:2	DANFOSS , SANHUA, HONEYWELL AND SO ON
Servise Pressure Relief Valve	1/4'	
Copper Fitting	1/2' - 3/8' - 5/8'	
Bottom Panel Thermoplastics	110x120x150 mm	METE
Contactör	3RT-2016-1AP01 4 KW	SIEMENS
Automat	C1x16A	SIEMENS
Digital Thermostat	MT-V01 , MT-V02	UNITE ELEKTRONIK
Fitting	PG16	ORTAÇ
Mono Phase Male Plug	220 V 16A	METE
Cable TTR	3x2,5 mm	ÖZNUR KABLO
Cable Control	4x0,75 mm	ERSE
Temperature Probe		
Cooler Gas	R404-A	C-GAS
Electric Terminal		PHOENIX
Electric Terminal Stopper		PHOENIX
Cartilage	10 mm Spiral	
Suction Line Accumulator	TC-205	T-COLD
Low Pressure Switch	0,7-1,7 BAR	DANFOSS
High Pressure Switch	21-28 BAR	DANFOSS
Chassis	Sheet Metal Twisted Chassis	AISI 201 850x1640 mm
Butterfly Valve	DN50	AISI 304
Steel Spring	2x30x90 mm	AISI 304
Mixer Motor	25W- 30 r/m - 220V	FINEX
Profile Adjustable Feet	Ø45xM12x45 mm	SANAY BAKALİT



### 1.000 Lt Milk Cooling Tank Product Content

PART	DIMENSION	MATERIAL
Platform Plate	420x900x1 mm	AISI 430
Condenser	25-35 m <sup>2</sup>	AZAK, BUZÇELİK, COLDIVA AND SO ON
Fan	Ø 500 mm	DUNLI, AKSA MOTOR FAN, SANMU, WENTO AND SO ON
Compressor	JT95GBBY1L (3-3.5 HP) (DAİKİN)	DAİKİN, PANASONIC, KULTHORN AND SO ON
Drayer	1/2' 164S	CASTEL
Expansion Valve	TS2 068Z3414	DANFOSS, SANHUA, HONEYWELL AND SO ON
Orifice	NO:4	DANFOSS, SANHUA, HONEYWELL AND SO ON
Servise Pressure Relief Valve	1/4'	
Copper Fitting	1/2' - 3/8' - 5/8'-7/8'	
Bottom Panel Thermoplastics	210x280x130 mm	METE
Contactora	3RT-2017-1AP02 5,5 KW	SIEMENS
Automat	C3x20A	SIEMENS
Digital Thermostat	MT-V01, MT-V02	UNITE ELEKTRONIK
Key 0-1		EMAS
Fitting	PG16	ORTAÇ
Three Phase Male Plug	380 V 5X16A	METE
Cable TTR	3x2,5 mm	ÖZNUR KABLO
Cable Control	4x0,75 mm	ERSE
Temperature Probe	10K NTC	
Cooler Gas	R404-A	C-GAS
Electric Terminal		PHOENIX
Electric Terminal Stopper		PHOENIX
Cartilage	10 mm Spiral	
Liquid Receiver	VLR.A.33b.03.B2.C2	GÜVEN
Suction Line Accumulator	TC-205	T-COLD
Low Pressure Switch	0,7-1,7 BAR	DANFOSS
High Pressure Switch	21-28 BAR	DANFOSS
Chassis	Sheet Metal Twisted Chassis	AISI 304 900x2000 mm
Butterfly Valve	DN50	AISI 304
Steel Spring	3x30x110 mm	AISI 304
Mixer Motor	40W- 30 r/m - 220V	FINEX
Profile Adjustable Feet	Ø45xM12x45 mm	SANAY BAKALİT

## Milk Cooling Tanks Süt Soğutma Tankları



### 1.500 Lt Milk Cooling Tank Product Content

PART	DIMENSION	MATERIAL
Platform Plate	700x1100x1 mm	AISI 430
Condenser	35-45 m <sup>2</sup>	AZAK, BUZÇELİK, COLDIVA AND SO ON
Fan	2xØ400 mm	DUNLI, AKSA MOTOR FAN, SANMU, WENTO AND SO ON
Compressor	JT125GBBY1L (4 HP) (DAİKİN)	DAİKİN, PANASONIC, KULTHORN AND SO ON
Drayer	1/2' 304S	CASTEL
Expansion Valve	TS2 068Z3414	DANFOSS, SANHUA, HONEYWELL AND SO ON
Orifice	NO:5	DANFOSS, SANHUA, HONEYWELL AND SO ON
Servise Pressure Relief Valve	1/4'	
Copper Fitting	1/2' - 3/8' - 5/8'-7/8'	
Bottom Panel Thermoplastics	210x280x130 mm	METE
Contactora	3RT-2017-1AP02 5,5 KW	SIEMENS
Automat	C3x25A	SIEMENS
Digital Thermostat	MT-V01, MT-V02	UNITE ELEKTRONIK
Fitting	PG16	ORTAÇ
Three Phase Male Plug	380 V 5X16A	METE
Cable TTR	3x2,5 mm	ÖZNUR KABLO
Cable Control	4x0,75 mm	ERSE
Temperature Probe	10K NTC	
Cooler Gas	R404-A	C-GAS
Electric Terminal		PHOENIX
Electric Terminal Stopper		PHOENIX
Cartilage	12 mm Spiral	
Liquid Receiver	VLR.A.33b.05.B2.C2	GÜVEN
Suction Line Accumulator	TC-206	T-COLD
Low Pressure Switch	0,7-1,7 BAR	DANFOSS
High Pressure Switch	21-28 BAR	DANFOSS
Chassis	40x80x1,5 mm Profile	AISI 201 900x2250 mm
Butterfly Valve	DN50	AISI 304
Steel Spring	4x30x110 mm	AISI 304
Mixer Motor	40W- 30 r/m - 220V	FINEX
Profile Adjustable Feet	Ø45xM12x45 mm	SANAY BAKALİT



## 2.000 Lt Milk Cooling Tank Product Content

PART	DIMENSION	MATERIAL
Platform Plate	700x1300x1 mm	AISI 430
Condenser	45-55 m <sup>2</sup>	AZAK, BUZÇELİK, COLDIVA AND SO ON
Fan	2xØ450 mm	DUNLİ, AKSA MOTOR FAN, SANMU, WENTO AND SO ON
Compressor	JT160GBBY1L (5 HP) (DAİKİN)	DAİKİN, PANASONIC, KULTHORN AND SO ON
Drayer	1/2' 304S	CASTEL
Expansion Valve	TS2 068Z3414	DANFOSS , SANHUA, HONEYWELL AND SO ON
Orifice	NO:6	DANFOSS , SANHUA, HONEYWELL AND SO ON
Servise Pressure Relief Valve	1/4'	
Copper Fitting	1/2' - 3/8' - 5/8'-7/8'	
Bottom Panel Thermoplastics	210x280x130 mm	METE
Contactora	3RT-2017-1AP02 5,5 KW	SIEMENS
Automat	C3x25A	SIEMENS
Digital Thermostat	MT-V01 , MT-V02	UNITE ELEKTRONIK
Fitting	PG16	ORTAÇ
Three Phase Male Plug	380 V 5X16A	METE
Cable TTR	3x2,5 mm	ÖZNUR KABLO
Cable Control	4x0,75 mm	ERSE
Temperature Probe	10K NTC	
Cooler Gas	R404-A	C-GAS
Electric Terminal		PHOENIX
Electric Terminal Stopper		PHOENIX
Cartilage	12 mm Spiral	
Liquid Receiver	VLR.A.33b.06.B3.C3	GÜVEN
Suction Line Accumulator	TC-206	T-COLD
Low Pressure Switch	0,7-1,7 BAR	DANFOSS
High Pressure Switch	21-28 BAR	DANFOSS
Chassis	40x80x1,5 mm Profile	AISI 201 1000x2540 mm
Butterfly Valve	DN50	AISI 304
Steel Spring	4x30x110 mm	AISI 304
Mixer Motor	40W- 30 r/m - 220V	FINEX
Profile Adjustable Feet	Ø45xM12x45 mm	SANAY BAKALİT

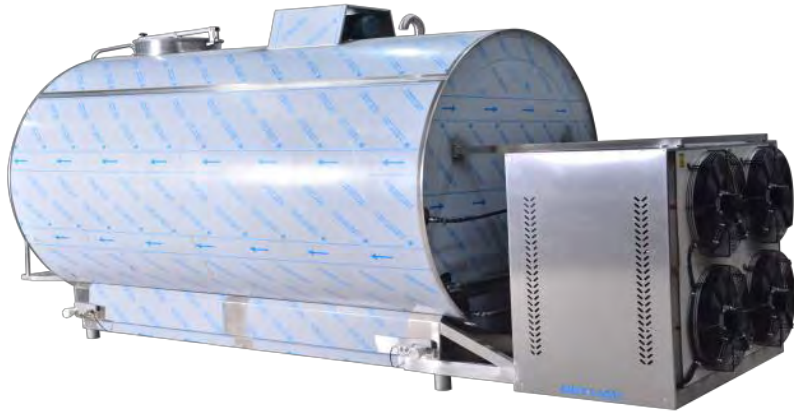


## Milk Cooling Tanks Süt Soğutma Tankları



## 3000 Lt Milk Cooling Tank Product Content

PART	DIMENSION	MATERIAL
Platform Plate	700x1300x1,5 mm	AISI 304
Condenser	2x45-55 m <sup>2</sup>	AZAK, BUZÇELİK, COLDIVA AND SO ON
Fan	4xØ450 mm	DUNLİ, AKSA MOTOR FAN, SANMU, WENTO AND SO ON
Compressor	2x JT160GBBY1L (5 HP) (DAİKİN)	DAİKİN, PANASONIC, KULTHORN AND SO ON
Drayer	2x 1/2' 304S	CASTEL
Expansion Valve	4x TS2 068Z3414	DANFOSS , SANHUA, HONEYWELL AND SO ON
Orifice	4x NO:4	DANFOSS , SANHUA, HONEYWELL AND SO ON
Servise Pressure Relief Valve	1/4'	
Copper Fitting	1/2' - 5/8' - 7/8' - 22 MM	
Front Control Panel	1250x450x300 mm	
Contactora	3RT-2018-1AP01 7,5 KW	SIEMENS
Automat	C3x40A	SIEMENS
Digital Thermostat	MT-V03	UNITE ELEKTRONIK
Fitting	PG16	ORTAÇ
Three Phase Male Plug	380 V 5X16A	METE
Cable TTR	5x4 mm	ÖZNUR KABLO
Cable Control	4x0,75 mm	ERSE
Temperature Probe	10K NTC	
Cooler Gas	R404-A	C-GAS
Electric Terminal		PHOENIX
Electric Terminal Stopper		PHOENIX
Cartilage	12 mm Spiral	
Liquid Receiver	2x VLR.A.33b.06.B3.C3	GÜVEN
Suction Line Accumulator	2x TC-206	T-COLD
Low Pressure Switch	0,7-1,7 BAR	DANFOSS
High Pressure Switch	21-28 BAR	DANFOSS
Chassis	2 mm	AISI 304 1000x2000 mm
Butterfly Valve	DN50	AISI 304
Mixer Motor	0,75 kW- 30 r/m - 380V	VOLT



## 5000 Lt Milk Cooling Tank Product Content

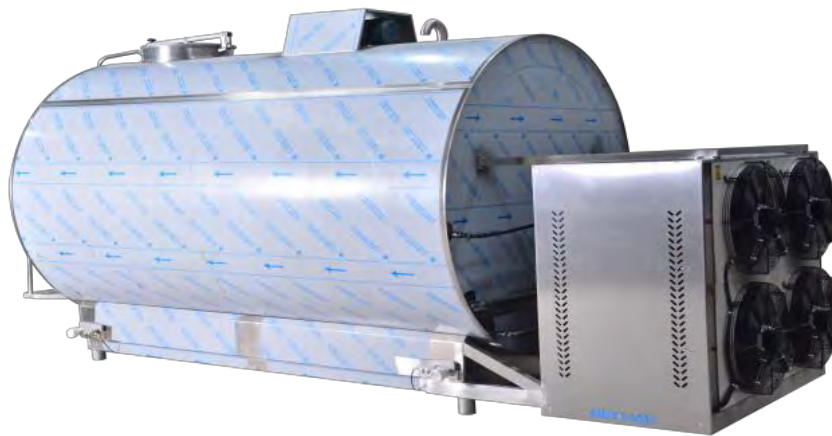
PART	DIMENSION	MATERIAL
Platform Plate	700x1400x1,5 mm	AISI 304
Condenser	2x 60-80 m <sup>2</sup>	AZAK, BUZÇELİK, COLDIVA AND SO ON
Fan	4XØ 500 mm	DUNLI, AKSA MOTOR FAN, SANMU, WENTO AND SO ON
Compressor	2x C-SBS235H38B (7 HP) (PANASONIC)	PANASONIC, DAİKIN, KULTHORN AND SO ON
Drayer	2x 1/2' 304S	CASTEL
Expansion Valve	4x TS2 068Z3414	DANFOSS , SANHUA, HONEYWELL AND SO ON
Orifice	4x NO:5	DANFOSS , SANHUA, HONEYWELL AND SO ON
Servise Pressure Relief Valve	1/4'	
Copper Fitting	1/2' - 5/8' - 7/8' - 22 MM	
Front Control Panel	1250x450x300 mm	
Contactora	3RT-2026-1AP00 11 KW	SIEMENS
Automat	C3x63A	SIEMENS
Digital Thermostat	MT-V03	UNITE ELEKTRONIK
Fitting	PG16	ORTAÇ
Three Phase Male Plug	380 V 5X32A	METE
Cable TTR	5x4 mm	ÖZNUR KABLO
Cable Control	4x0,75 mm	ERSE
Temperature Probe	10K NTC	
Cooler Gas	R404-A	C-GAS
Electric Terminal		PHOENIX
Electric Terminal Stopper		PHOENIX
Cartilage	12 mm Spiral	
Liquid Receiver	2x VLR.A.33b.07.B3.C3	GÜVEN
Suction Line Accumulator	2x TC-207	T-COLD
Low Pressure Switch	0,7-1,7 BAR	DANFOSS
High Pressure Switch	21-28 BAR	DANFOSS
Chassis	2 mm	AISI 304 1000x2500 mm
Butterfly Valve	DN50	AISI 304
Mixer Motor	0,75 kW- 30 r/m - 380V	VOLT

## Milk Cooling Tanks Süt Soğutma Tankları



## 6000 Lt Milk Cooling Tank Product Content

PART	DIMENSION	MATERIAL
Platform Plate	800x1700x1,5 mm	AISI 304
Condenser	2x 90-110 m <sup>2</sup>	AZAK, BUZÇELİK, COLDIVA AND SO ON
Fan	4XØ 500 mm	DUNLI, AKSA MOTOR FAN, SANMU, WENTO AND SO ON
Compressor	2x C-SCN673H8K (9 HP) (PANASONIC)	PANASONIC, DAİKIN, KULTHORN AND SO ON
Drayer	2x 1/2' 304S	CASTEL
Expansion Valve	4x TS2 068Z3414	DANFOSS , SANHUA, HONEYWELL AND SO ON
Orifice	4x NO:6	DANFOSS , SANHUA, HONEYWELL AND SO ON
Servise Pressure Relief Valve	1/4'	
Copper Fitting	1/2' - 5/8' - 7/8' - 22 MM	
Front Control Panel	1250x450x300 mm	
Contactora	3RT-2026-1AP00 11 KW	SIEMENS
Automat	C3x63A	SIEMENS
Digital Thermostat	MT-V03	UNITE ELEKTRONIK
Fitting	PG16	ORTAÇ
Three Phase Male Plug	380 V 5X32A	METE
Cable TTR	5x4 mm	ÖZNUR KABLO
Cable Control	4x0,75 mm	ERSE
Temperature Probe	10K NTC	
Cooler Gas	R404-A	C-GAS
Electric Terminal		PHOENIX
Electric Terminal Stopper		PHOENIX
Cartilage	12 mm Spiral	
Liquid Receiver	2x VLR.A.33b.07.B3.C3	GÜVEN
Suction Line Accumulator	2x TC-207	T-COLD
Low Pressure Switch	0,7-1,7 BAR	DANFOSS
High Pressure Switch	21-28 BAR	DANFOSS
Chassis	2 mm	AISI 304 1000x2750 mm
Butterfly Valve	DN50	AISI 304
Mixer Motor	2x0,75 kW- 30 r/m - 380V	VOLT





Ventilation Fan 1380 x 1250 mm  
Havalandırma Fanı 1250 x 1250 mm

END9507049

Propeller Diameter—Kanat Çapı : 1240 mm (6 Blades)  
Engine—Motor : 1.1 kW  
Fan Speed—Motor Dönüş Hızı : 420 Rpm  
Noise level—Gürültü Seviyesi : 65 dB  
Max Capacity at 0 Pa—Maksimum Kapasite 0 Pa : 42000  
Voltage / frequency—Voltaj / frekans : 3 x 380V / 50Hz



Ventilation Fan 1000 x 900 mm  
Havalandırma Fanı 1000 x 900 mm

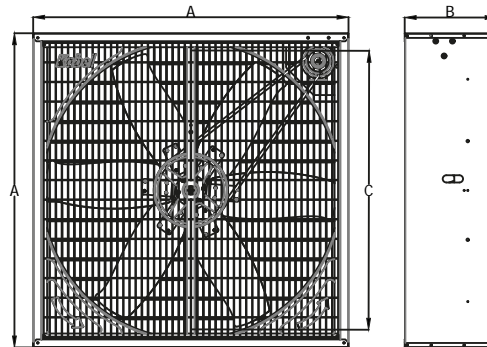
END9507049-1

Propeller Diameter—Kanat Çapı Engine—Motor : 840 mm (6 Blades)  
Fan Speed—Motor Dönüş Hızı : 0,55 kW  
Noise level—Gürültü Seviyesi : 390 Rpm

Max Capacity at 0 Pa—Maksimum Kapasite 0 Pa : 62 dB  
Voltage / frequency—Voltaj / frekans : 38000  
: 3 x 380V / 50Hz

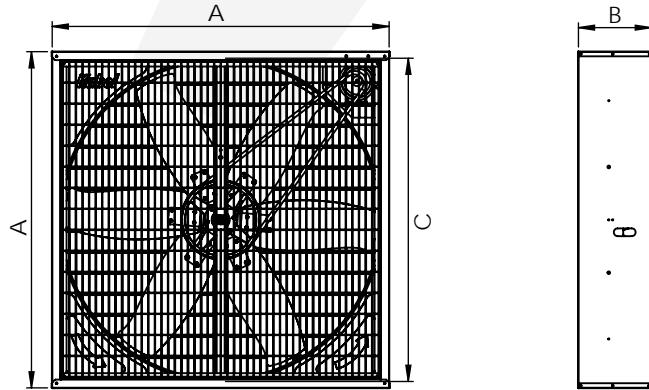
### FAN SIZES FAN BOYUTLARI

MODEL	A (mm)	B (mm)	C(mm)
END 9507049	1380	400	1250
END 9507049-1	1000	400	900



/ TECHNICAL SPECIFICATIONS  
**TEKNİK ÖZELLİKLER**

MODEL	END 9507049	END 9507049-1
<b>Kanat Malzemesi</b> Fan Blade Material	Alüminyum veya Paslanmaz Çelik Aluminum or Stainless Steel	Paslanmaz Çelik Stainless Steel
<b>Fan Hızı</b> Fan Speed	3 Fazlı, Tek Kademe 3 Phase, Single Stage	3 Fazlı, Tek Kademe 3 Phase, Single Stage
<b>Fan Çapı</b> Fan Diameter	1250 mm	900 mm
<b>Motor Devri</b> Motor Speed	1440 rpm	1440 rpm
<b>Hava Debisi</b> Air Flow Rate	44.500 m <sup>3</sup> /h	22.500 m <sup>3</sup> /h
<b>Ses</b> Noise Level	≤65 dB	≤65 dB
<b>Motor Gücü</b> Motor Power	1100W / 380V-220V	750W / 380V-220V
<b>Ağırlık</b> Weight	70 kg	45 kg
<b>Gövde</b> Trunk Material	Galvanizli Sac 275 gr/m <sup>2</sup> Galvanized Sheet	Galvanizli Sac 275 gr/m <sup>2</sup> Galvanized Sheet
<b>Gövde Tahrir Mekanizması</b> (Trunk Drive Mechanism)	Kayış Kaskak (V - Belt Drive)	Kayış Kaskak (V - Belt Drive)
<b>Damper Açılma Mekanizması</b> Damper Opening Mechanism	Rüzgar İtmeli Wind Push	Rüzgar İtmeli Wind Push



/ MOTOR TECHNICAL SPECIFICATIONS  
**MOTOR TEKNİK ÖZELLİKLERİ**

MODEL	END 9507049		END 9507049-1	
<b>Motor Verim Sınıfı</b> Motor Efficiency Class	IE2	IE3	IE2	IE3
<b>Güç</b> Power	1,1 kW	1,1 kW	0,75kW	0,75kW
<b>Gerilim</b> Voltage	380V 220V	380V 220V	380V 220V	380V 220V
<b>Akım</b> Flow	2,63A	2,70A	2,08A	1,80A
<b>Devir</b> Cycle	1400 Rpm	1450 Rpm	1380 Rpm	1445 Rpm
<b>Frekans</b> Frequency	50 Hz	50 Hz	50 Hz	50 Hz
<b>Motor Koruma Sınıfı</b> Motor Protection Class	IP55	IP55	IP55	IP55
<b>Ağırlık</b> Weight	12,2 kg	14,2 kg	8,2 kg	12,4 kg

F A R M F A N S

/ TECHNICAL SPECIFICATIONS  
**TEKNİK ÖZELLİKLER**

MODEL	END 9507049	END 9507049-1
<b>Kanat Malzemesi</b> Wing Material	Alüminyum veya Paslanmaz Çelik Aluminum or Stainless Steel	Alüminyum veya Paslanmaz Çelik Aluminum or Stainless Steel
<b>Fan Hızı</b> Fan Speed	3 Fazlı, Tek Kademeli 3 Phase, Single Stage	3 Fazlı, Tek Kademeli 3 Phase, Single Stage
<b>Fan Çapı</b> Fan Diameter	1250 mm	900 mm
<b>Motor Devri</b> Engine Speed	1440 rpm	1440 rpm
<b>Hava Debisi</b> Air Flow Rate	44.500 m <sup>3</sup> /h	22.500 m <sup>3</sup> /h
<b>Ses</b> Sound	≤65 dB	≤65 dB
<b>Güç / Voltaj</b> Power	1100W / 380V 220V	750W / 380V 220V
<b>Ağırlık</b> Weight	56 kg	38 kg
<b>Gövde</b> Trunk	275gr/m <sup>2</sup> Galvanizli Sac Galvanized Sheet	275gr/m <sup>2</sup> Galvanizli Sac Galvanized Sheet
<b>Boyut</b> Dimension	A 1380 x A 1380 x B 300 mm	A 1000 x A 1000 x C 300 mm
<b>Fan Çapı</b> Fan Diameter	C = 1250 mm	C = 900 mm



# MILKING

## SYSTEMS EQUIPMENTS



&



bir ENDERUN Markasıdır.  
are Copyrighted Brands of Enderun

[www.milkmach.com](http://www.milkmach.com)



**milk mach**

Produced by Enderun Milking Systems

Milk Mach Dış.Tic.Paz.A.Ş. & Enderun Sağım Sis.Tarım Mak.San.Tic.Ltd.Şti.

İşktepe OSB Kahverengi Cd. No:7 Nilüfer-BURSA / TÜRKİYE

Tel: +90 850 756 2193 - Mob: +90 542 208 6714

[www.milkmach.com](http://www.milkmach.com) - [info@milkmach.com.tr](mailto:info@milkmach.com.tr) / [export@milkmach.com.tr](mailto:export@milkmach.com.tr)